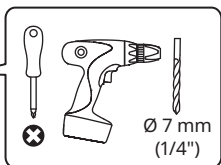
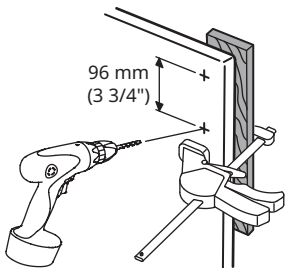


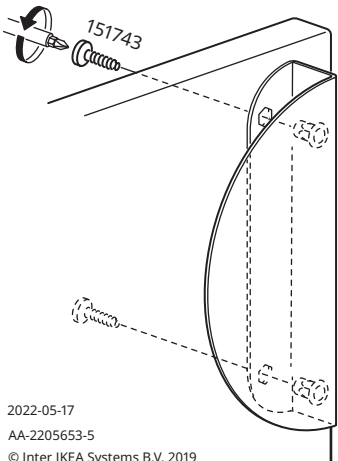
BEGRIPA



1



2



2022-05-17

AA-2205653-5

© Inter IKEA Systems B.V. 2019