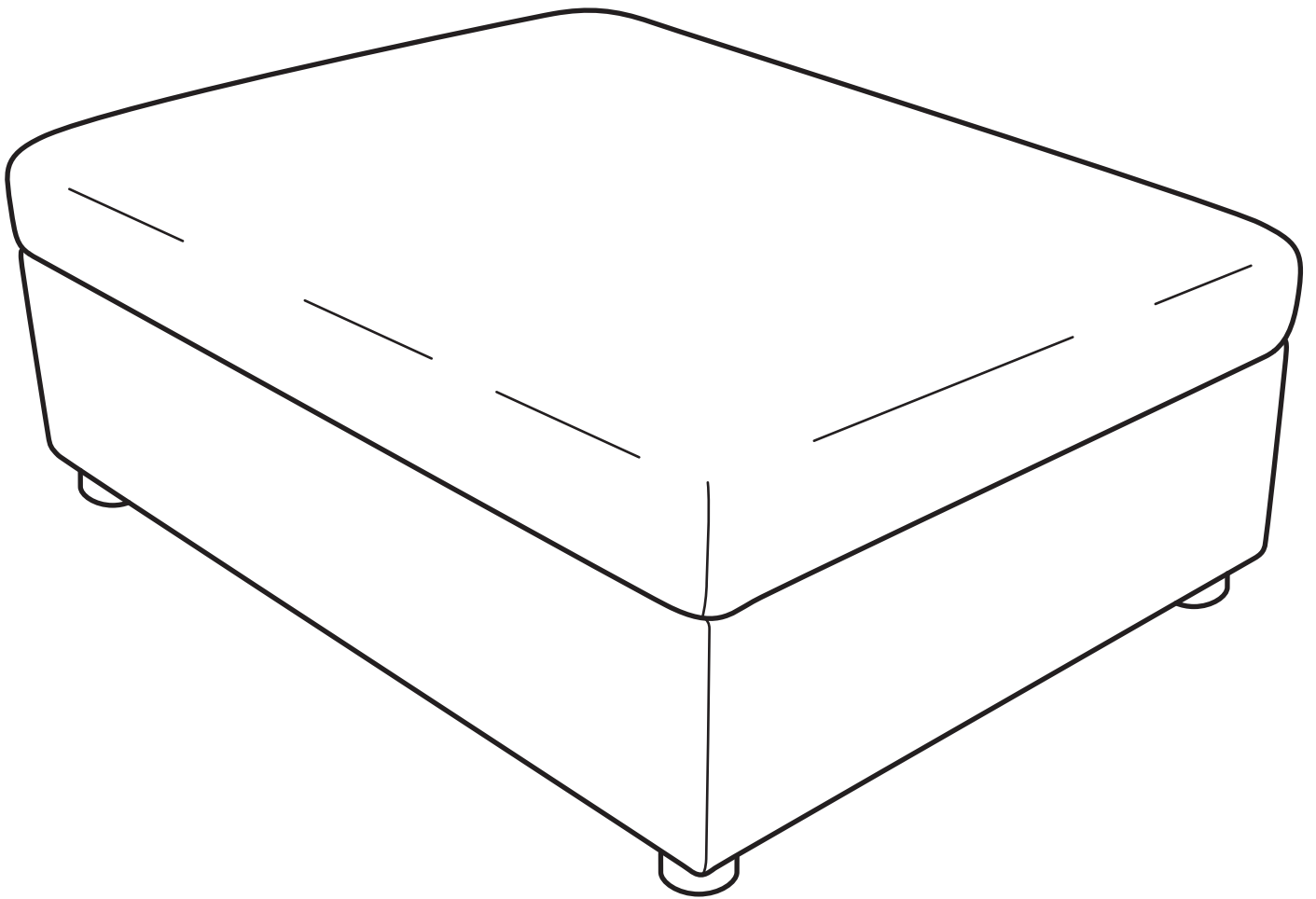
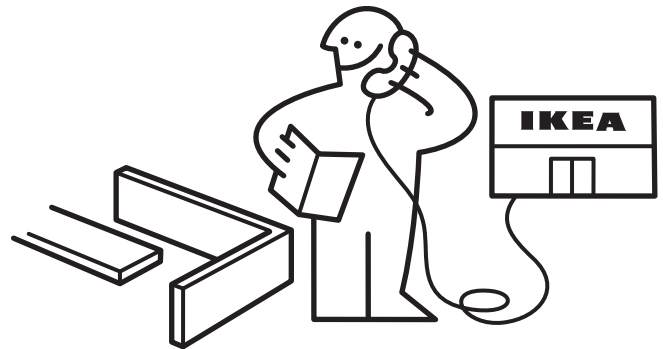
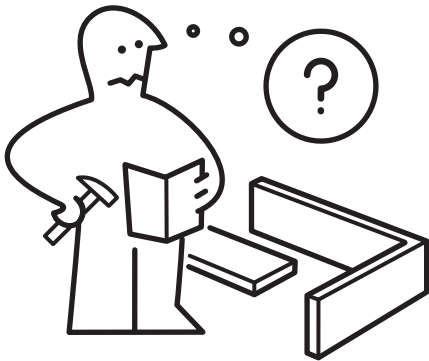
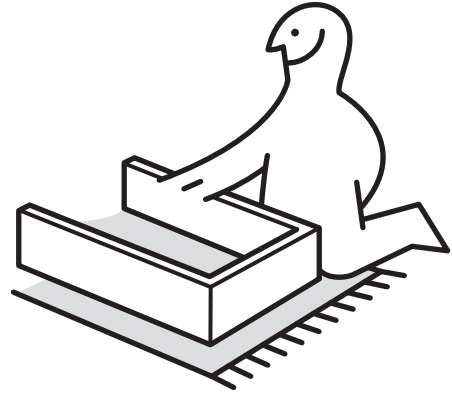
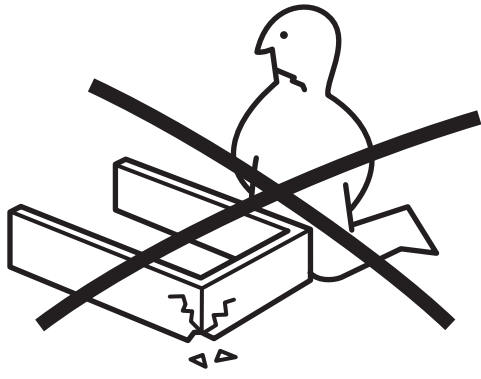


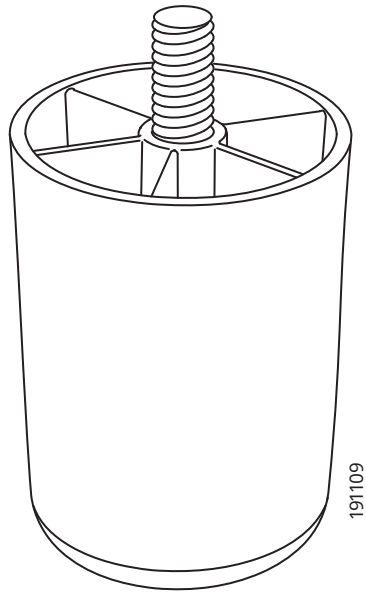
VIMLE

1

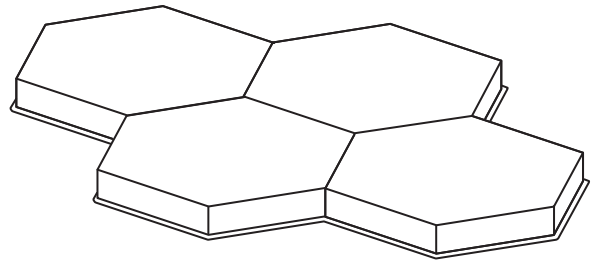


Design and Quality
IKEA of Sweden



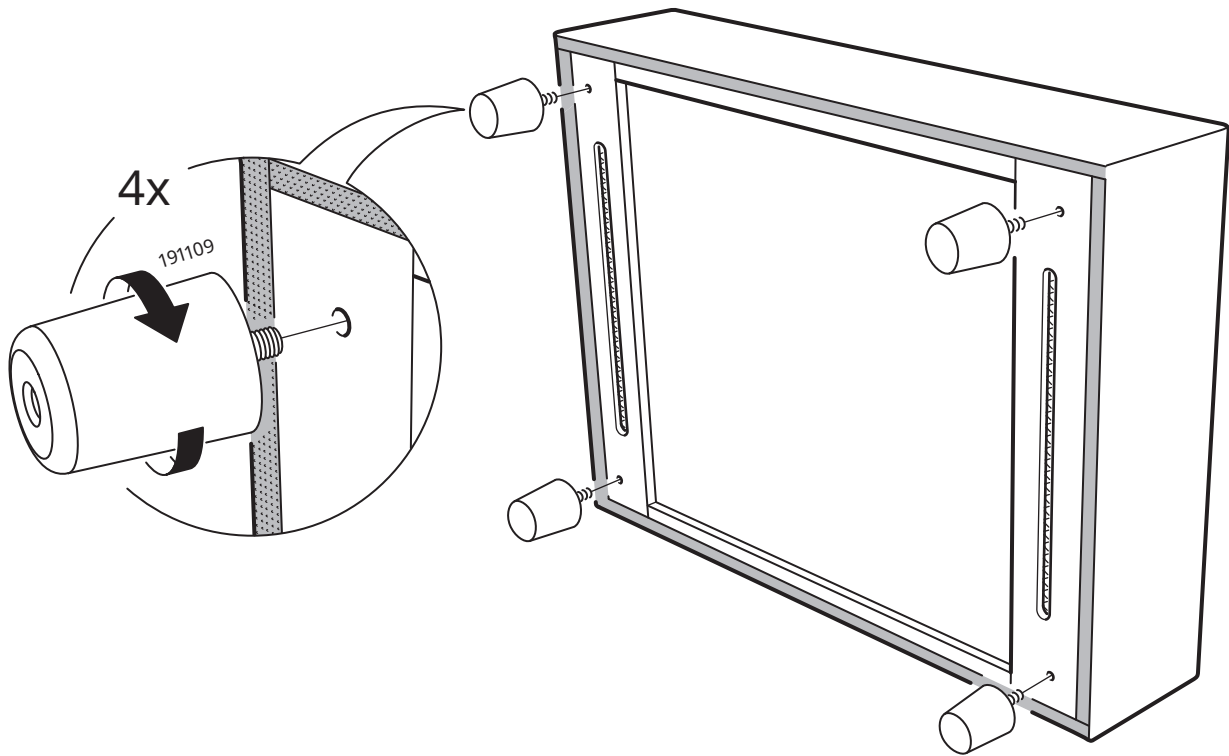


4x

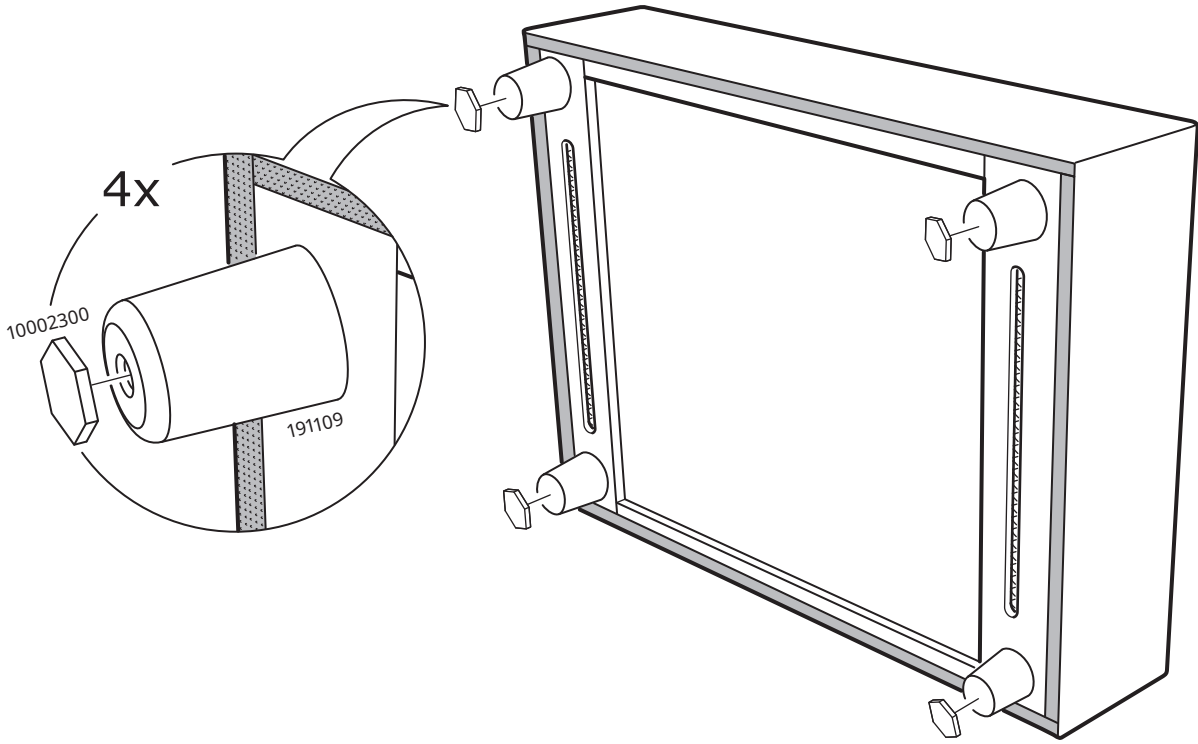


1x

1



2



3

