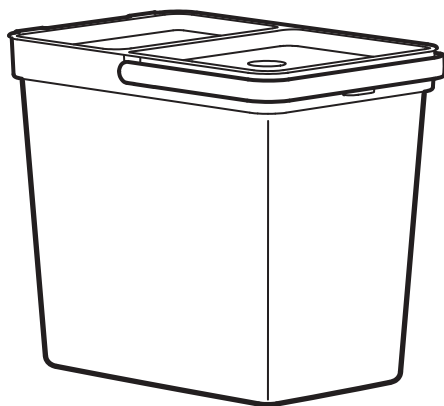
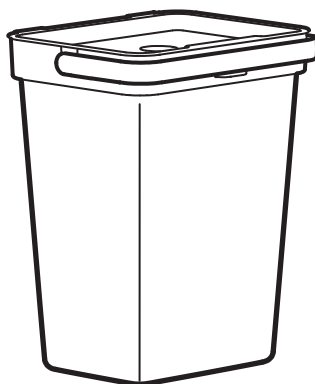
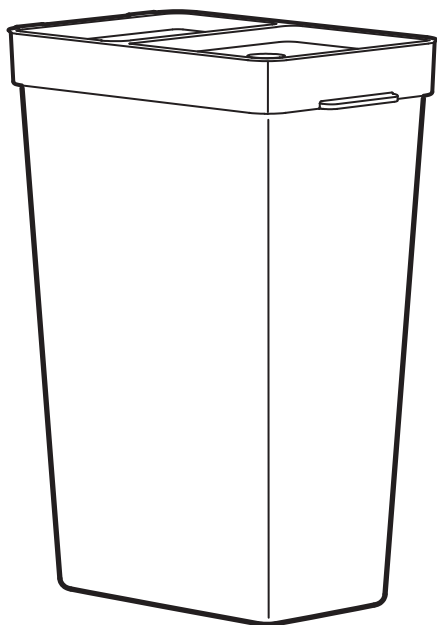
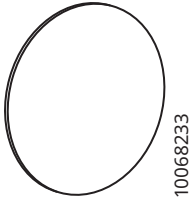
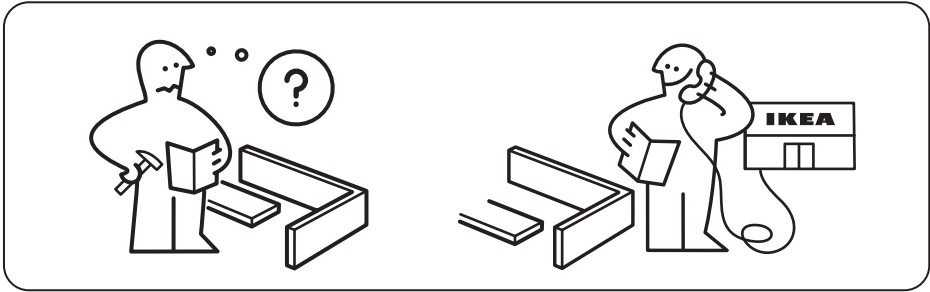


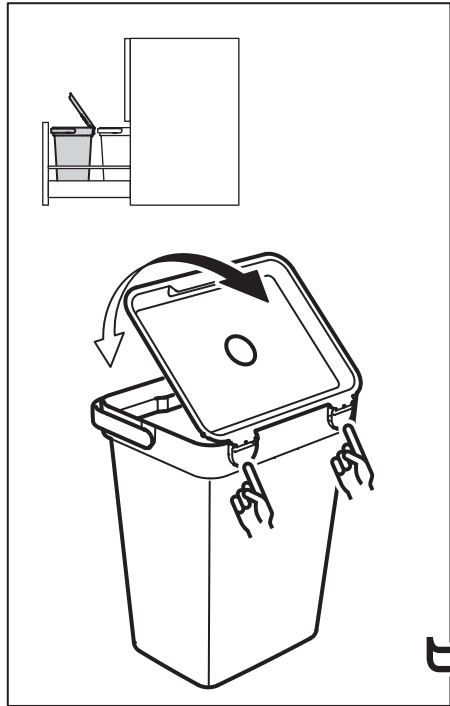
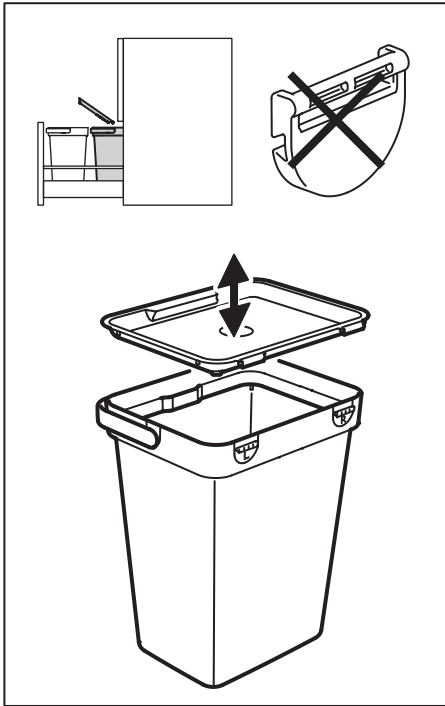
HÅLLBAR



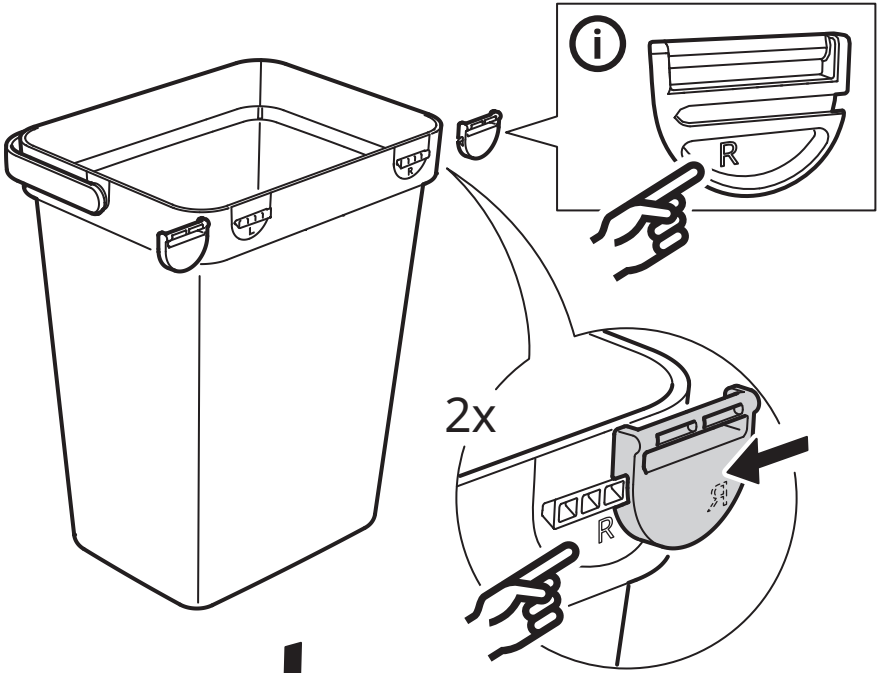
Design and Quality
IKEA of Sweden



1x



1



2

