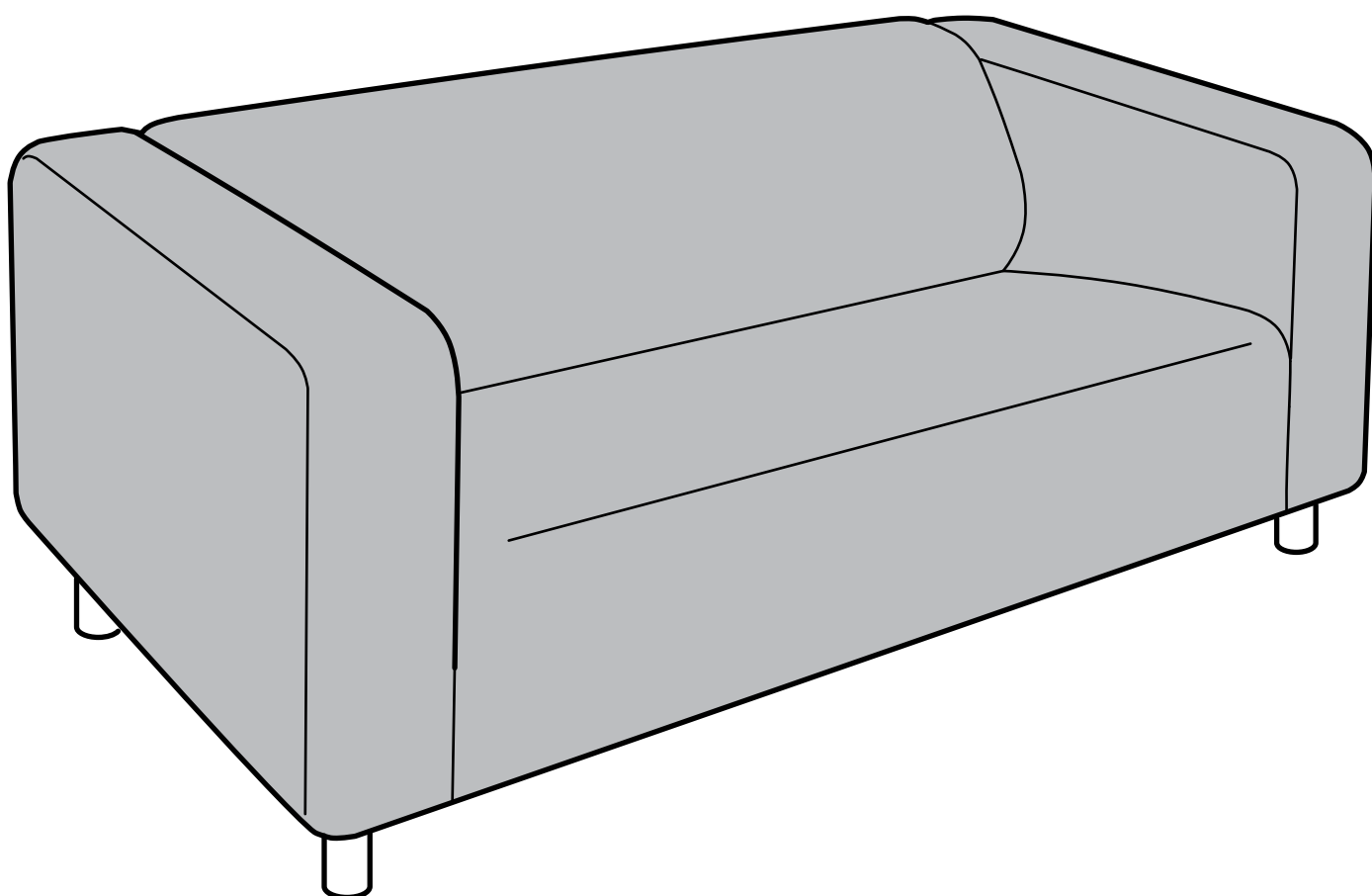
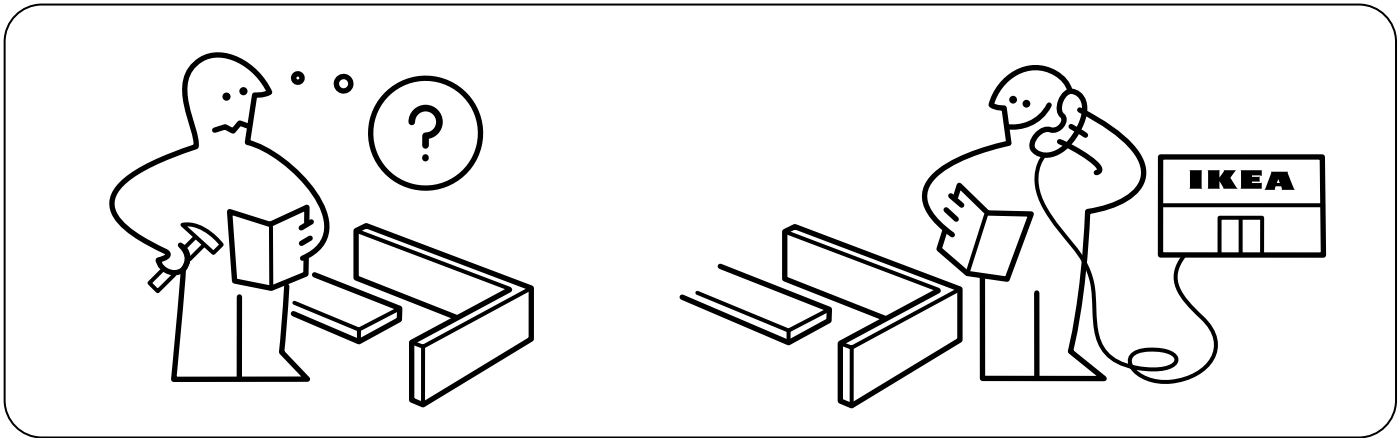


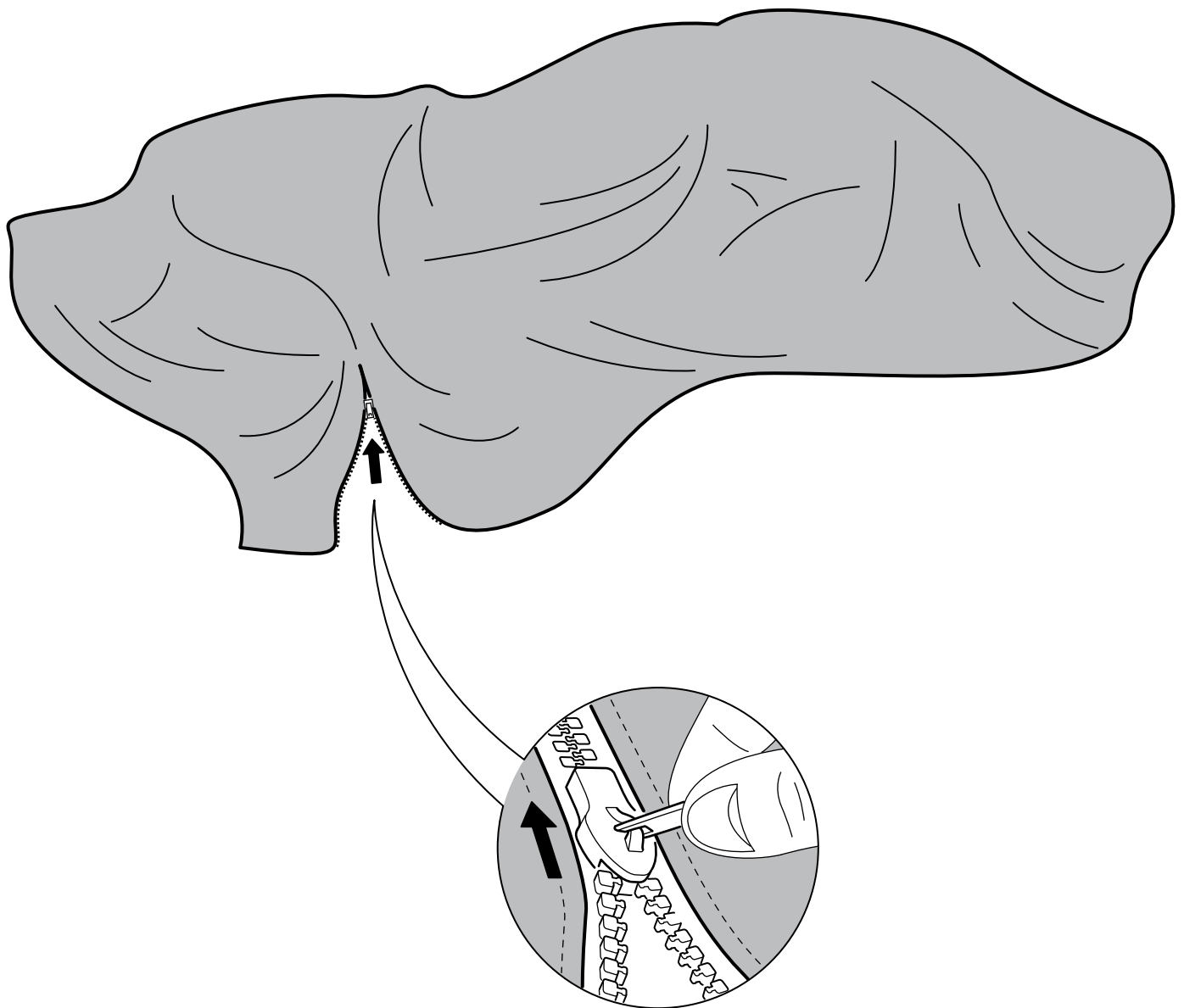
# KLIPPAN



Design and Quality  
IKEA of Sweden



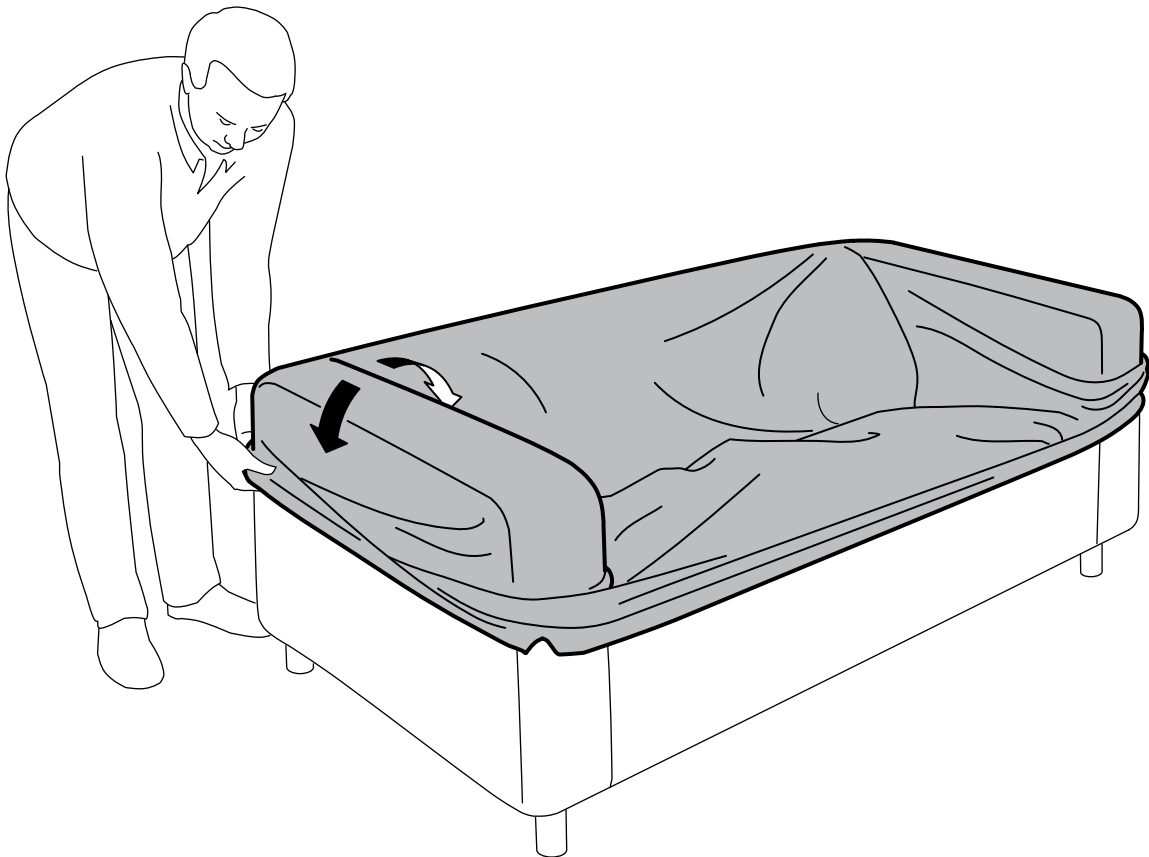
**1**



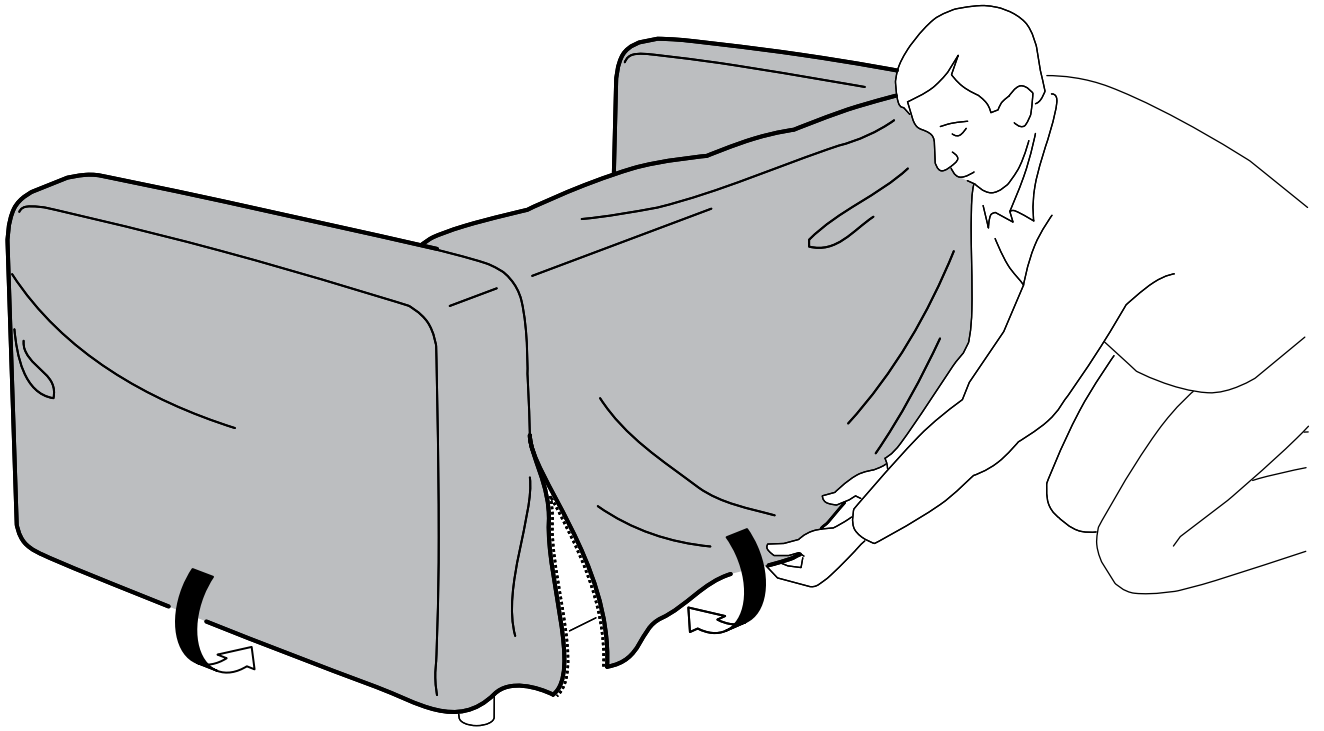
**2**



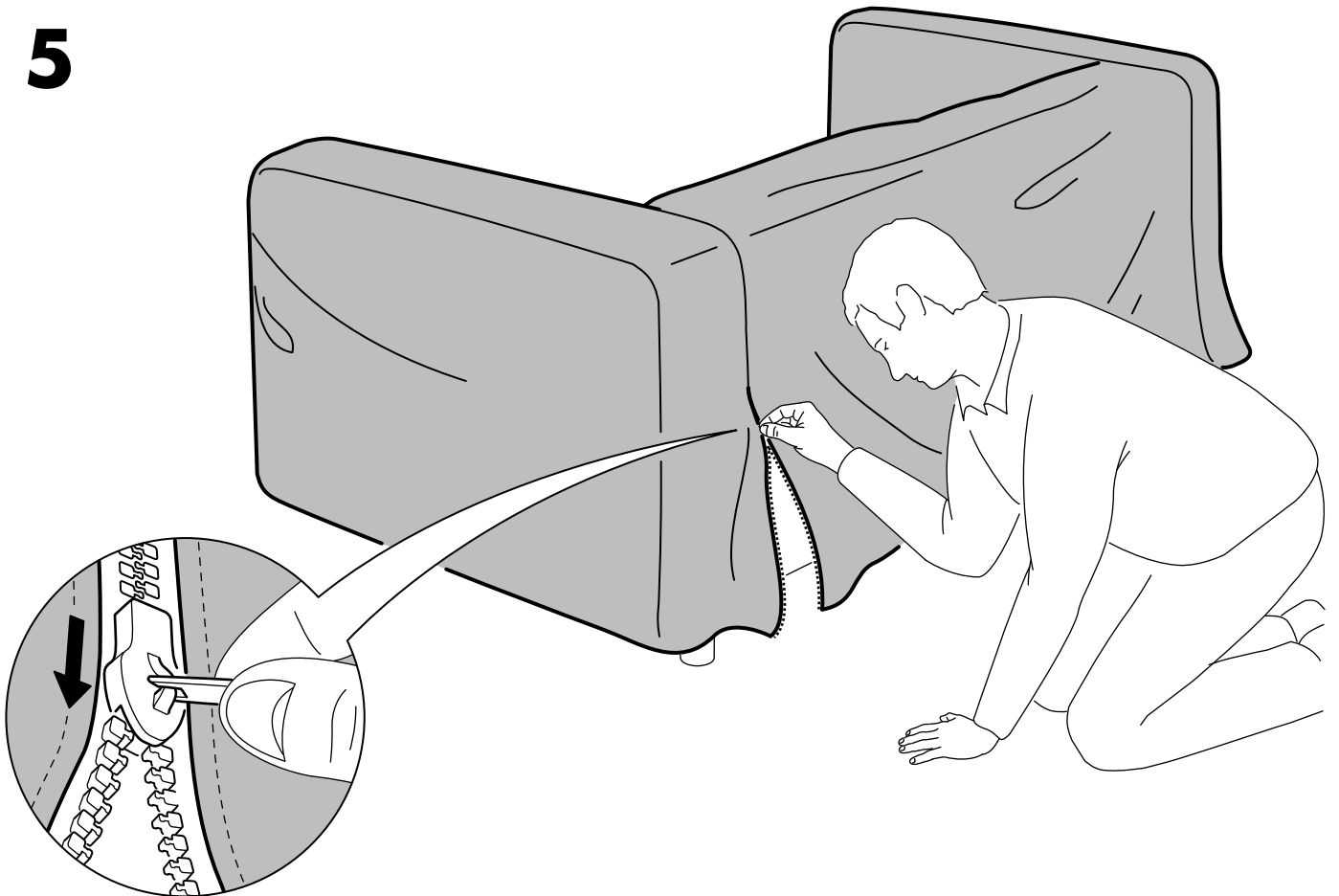
**3**



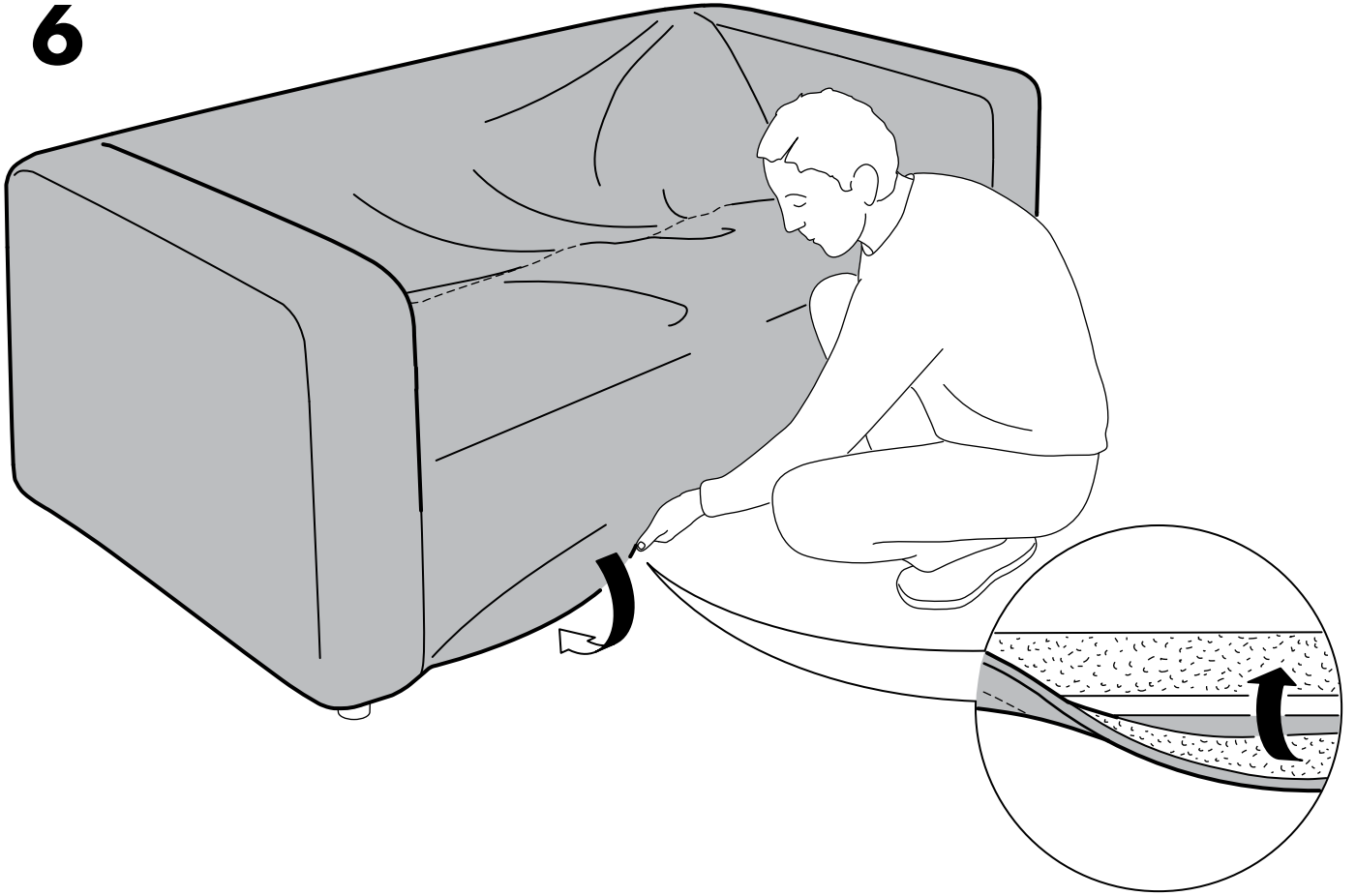
4



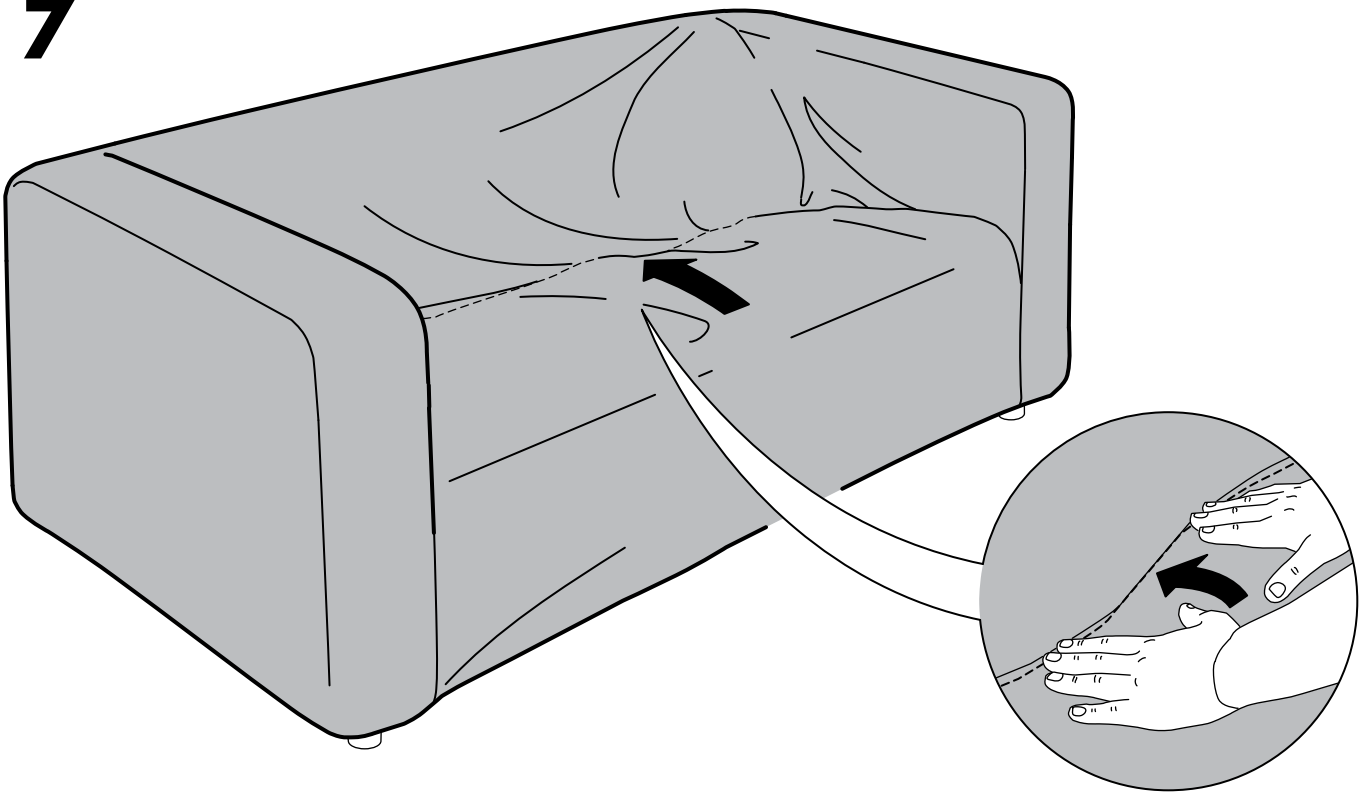
5



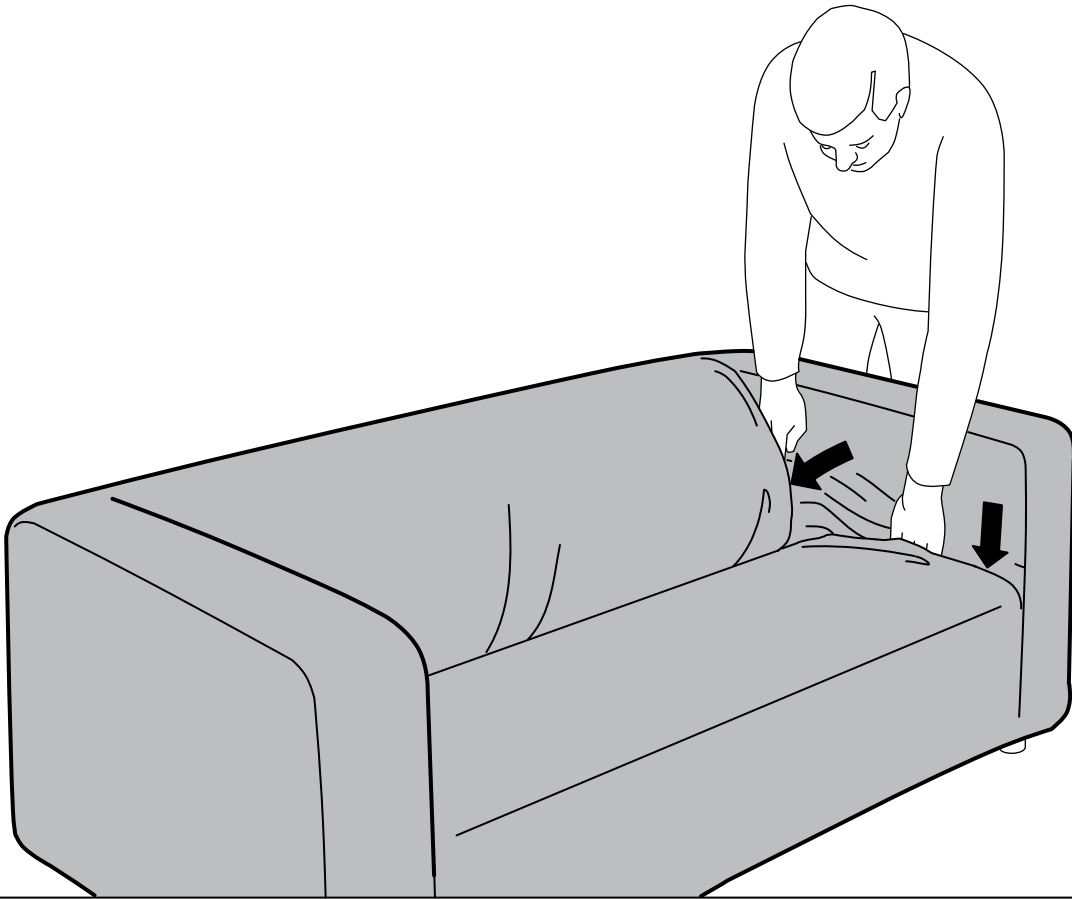
**6**



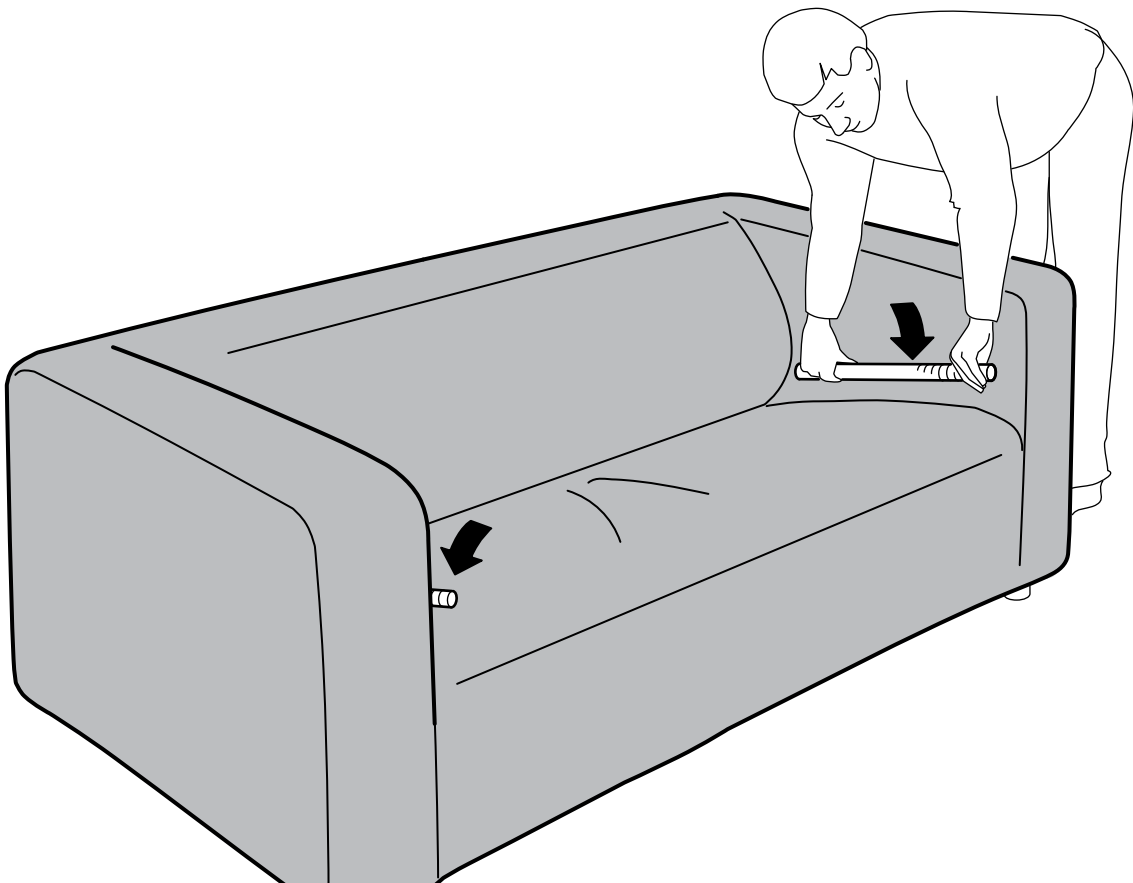
**7**



8



9



10

