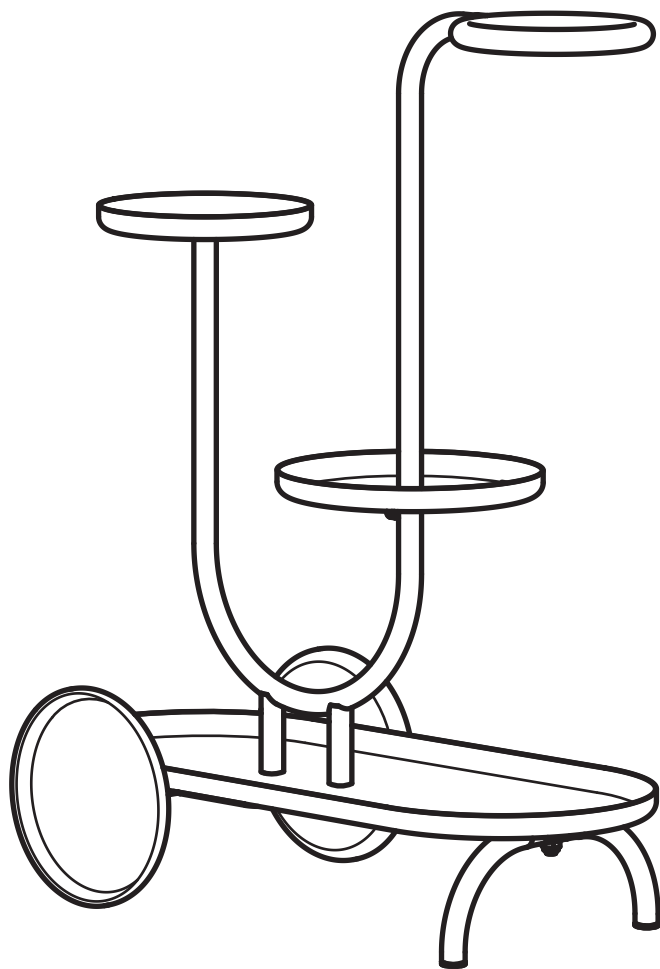
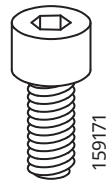
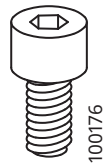
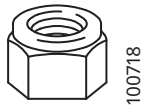
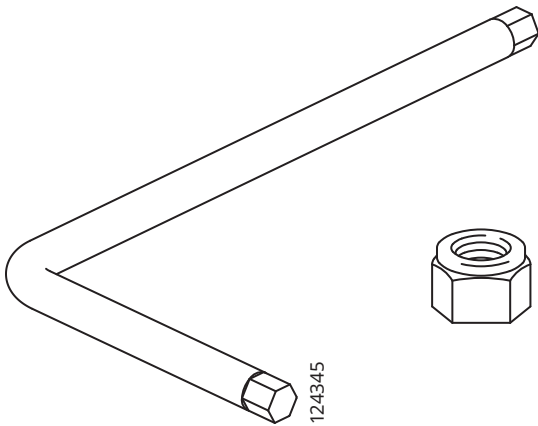
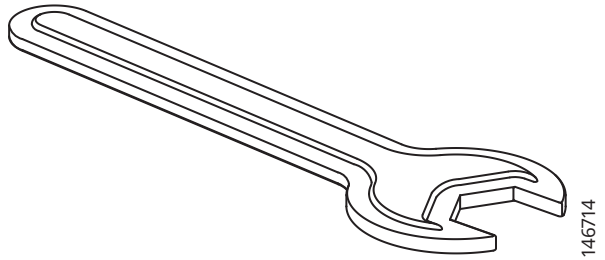
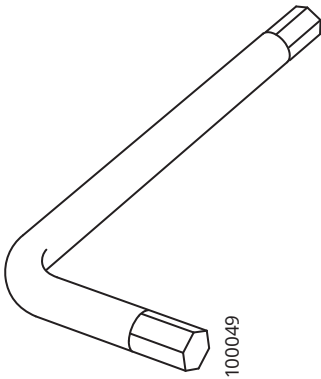
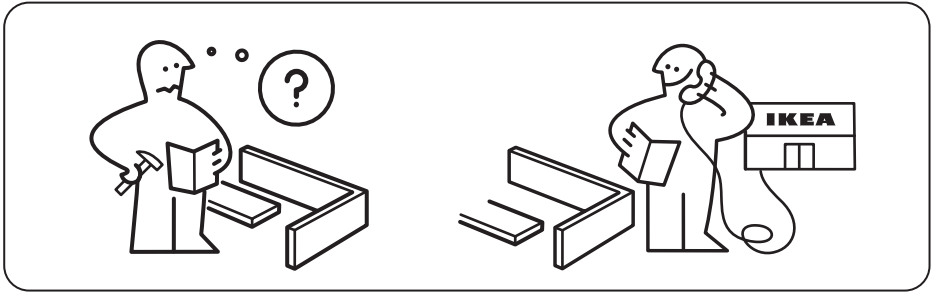


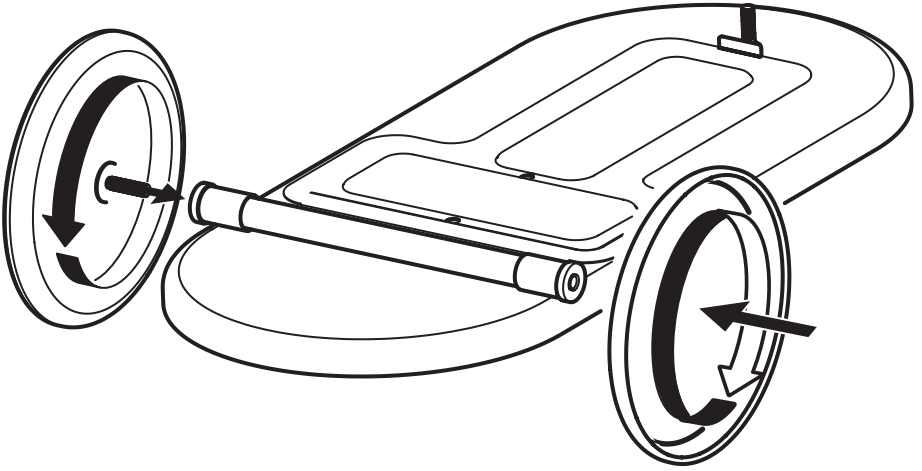
CHILISTRÅN



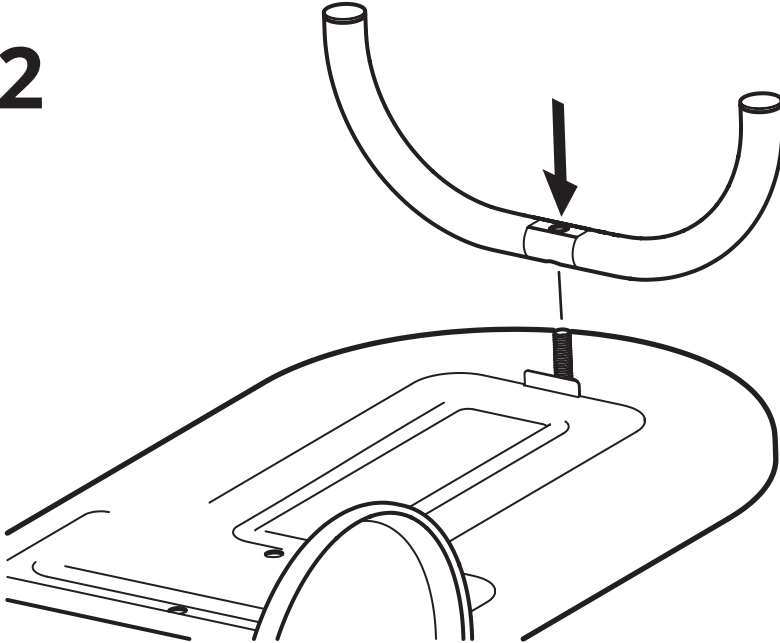
Design and Quality
IKEA of Sweden



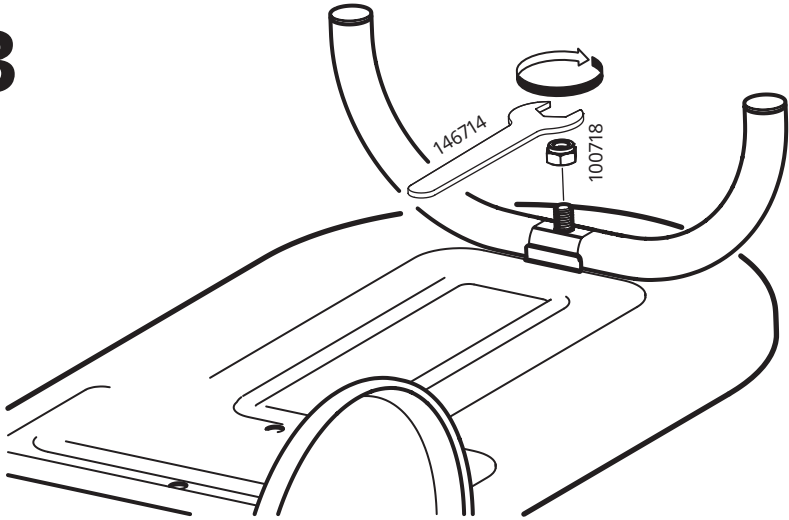
1



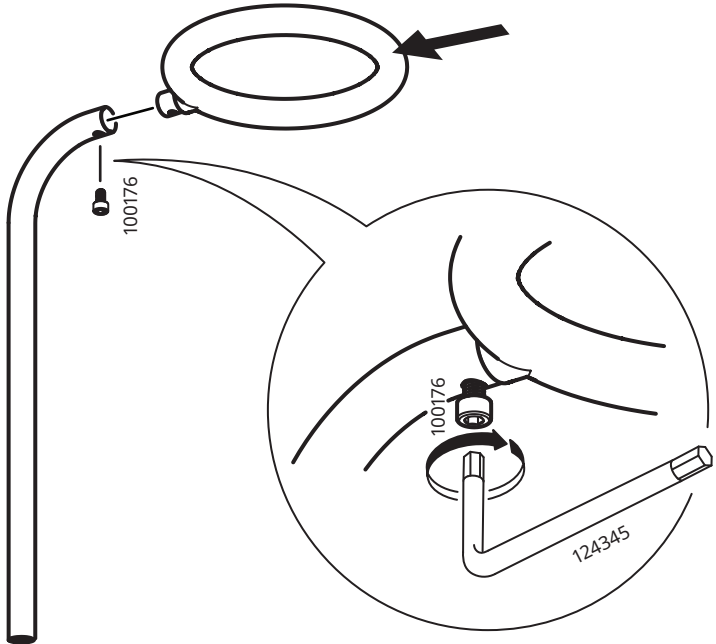
2



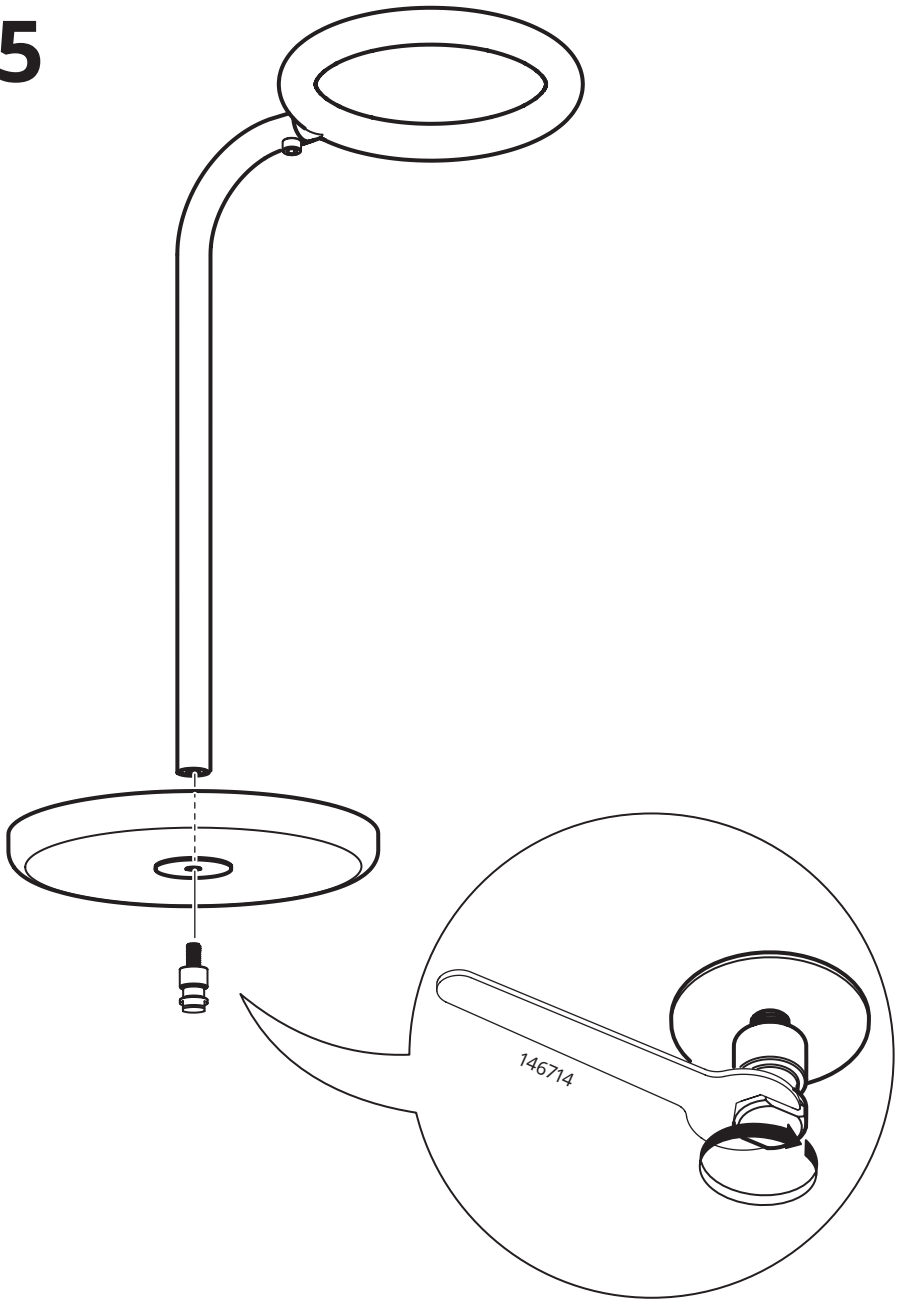
3



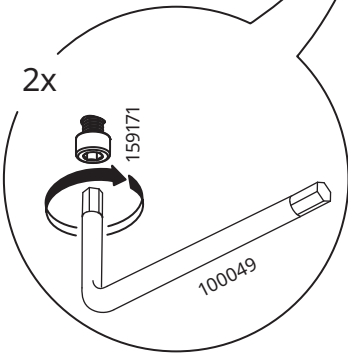
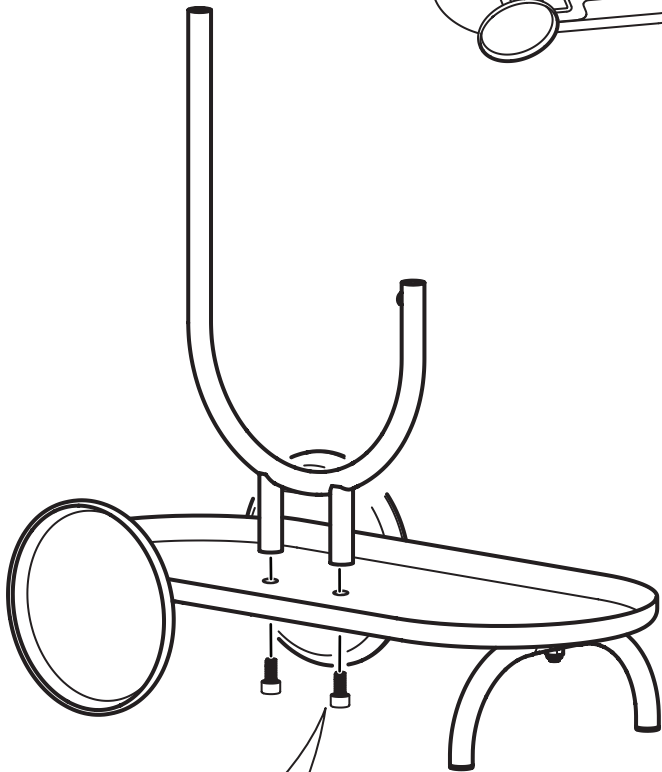
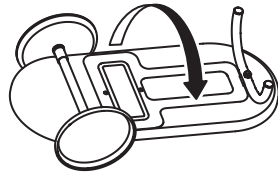
4



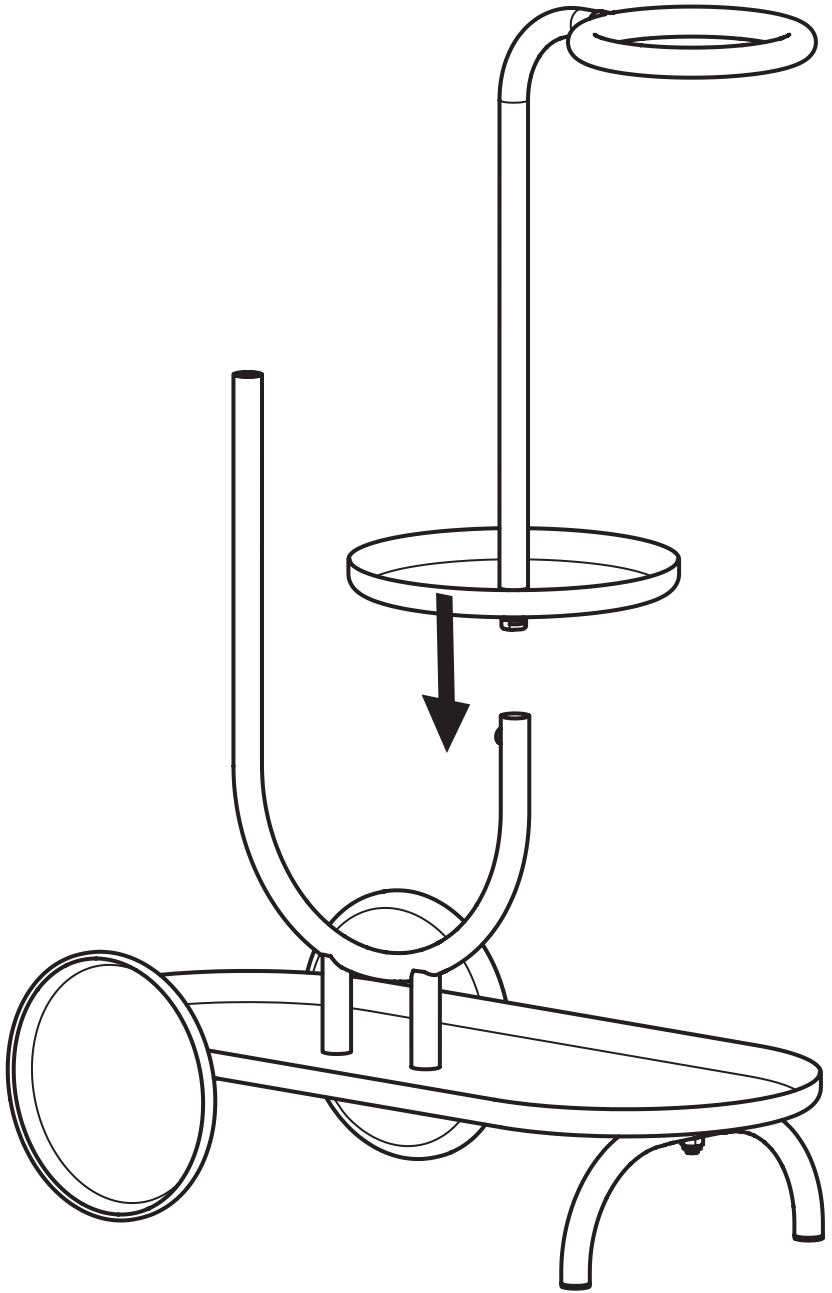
5



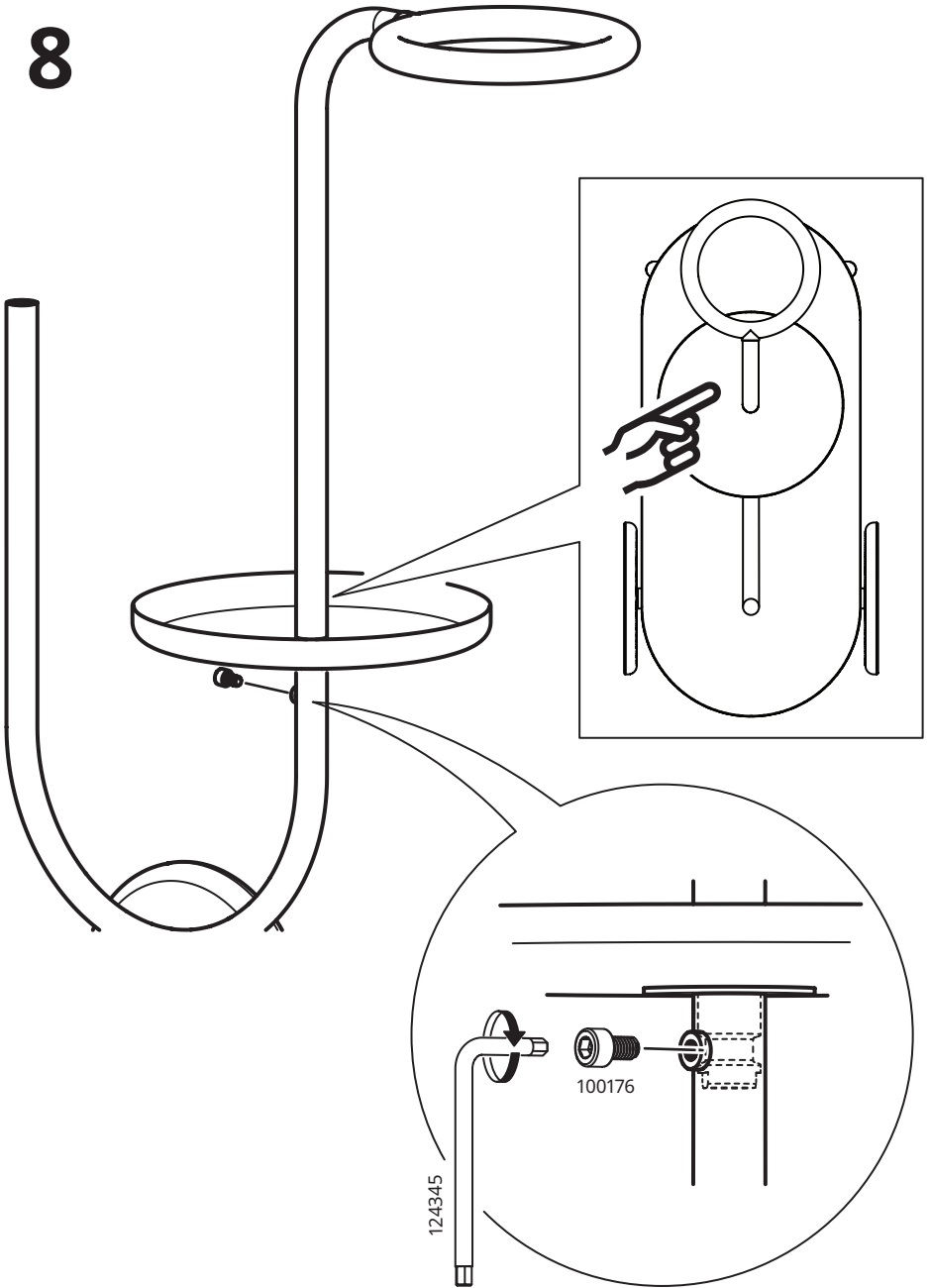
6

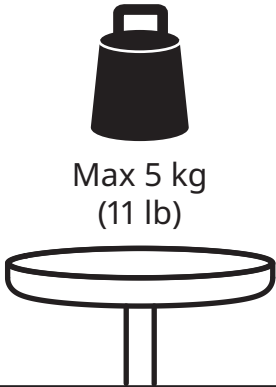
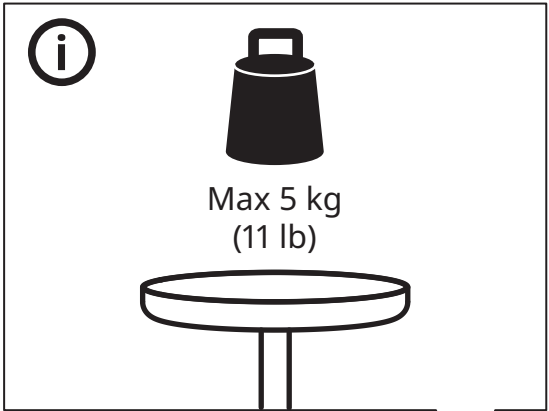


7



8





Max 5 kg
(11 lb)

