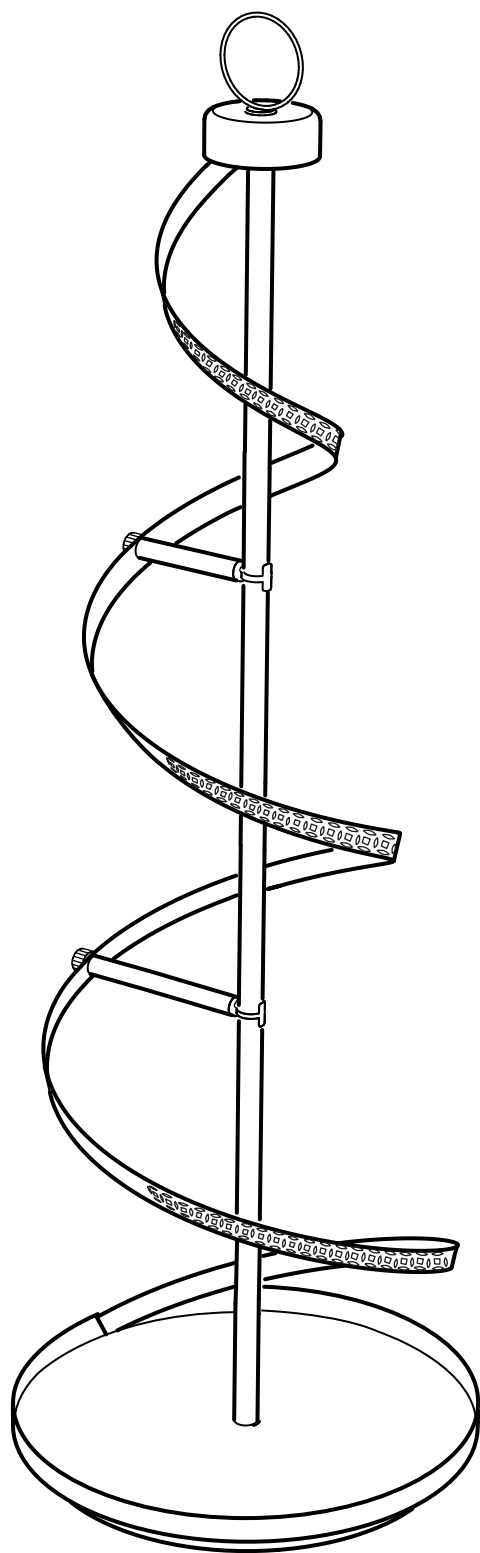
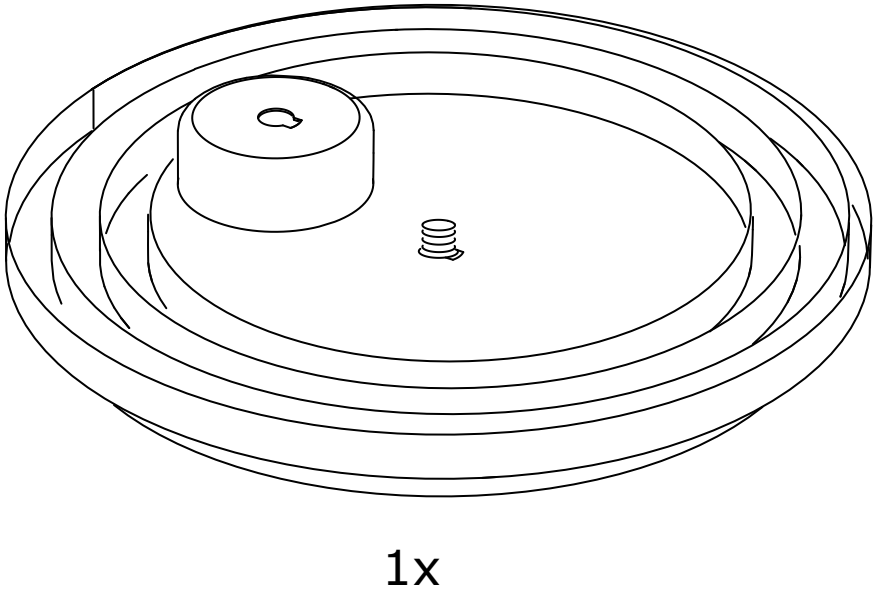
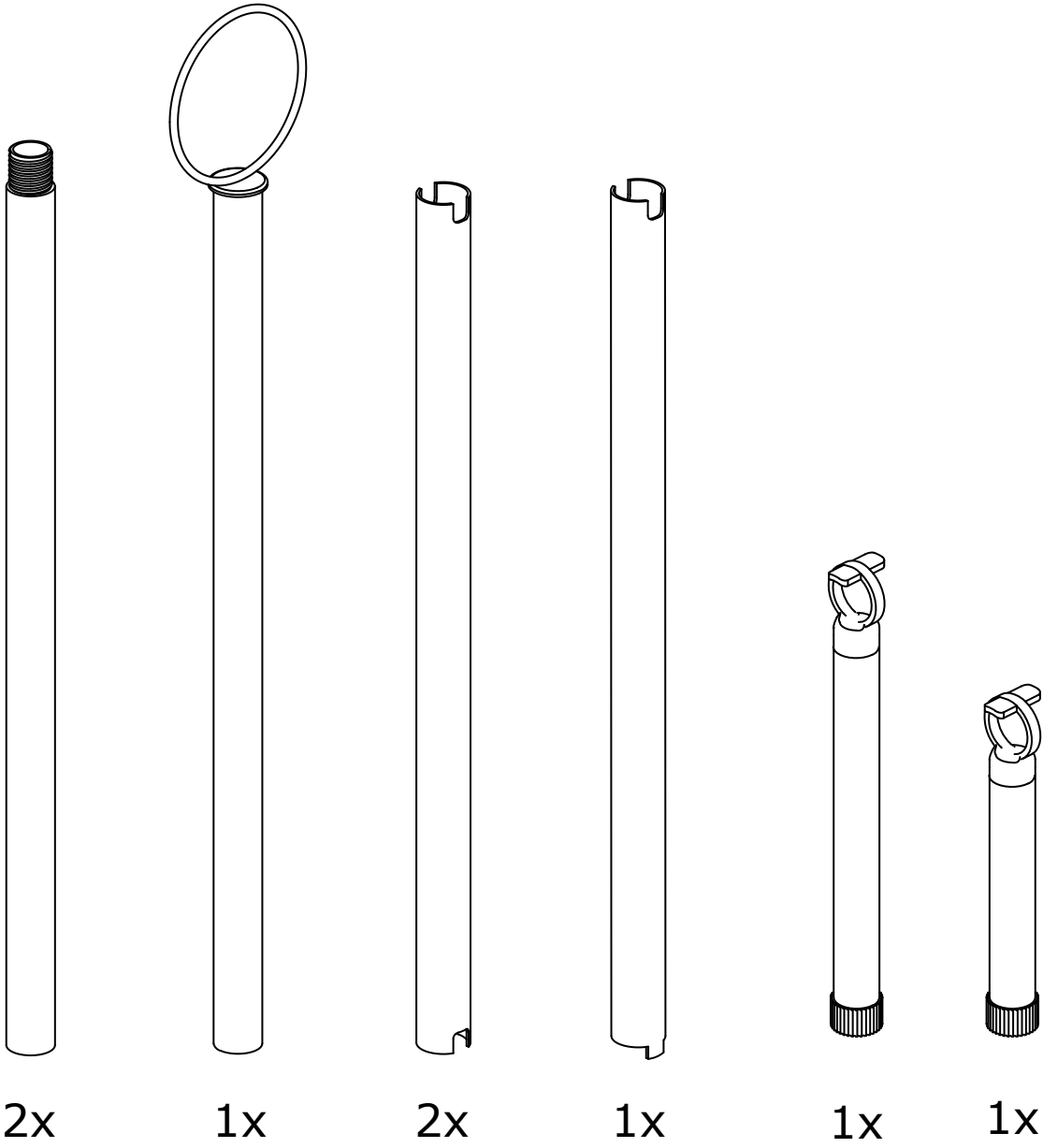


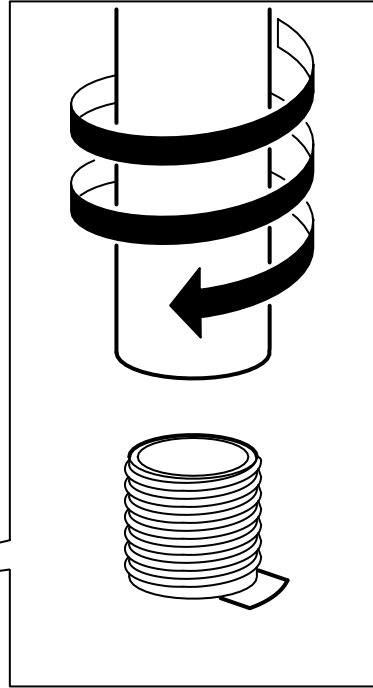
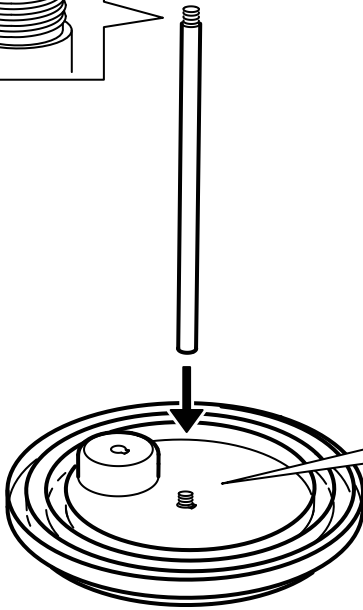
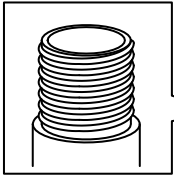
VINTER 2016



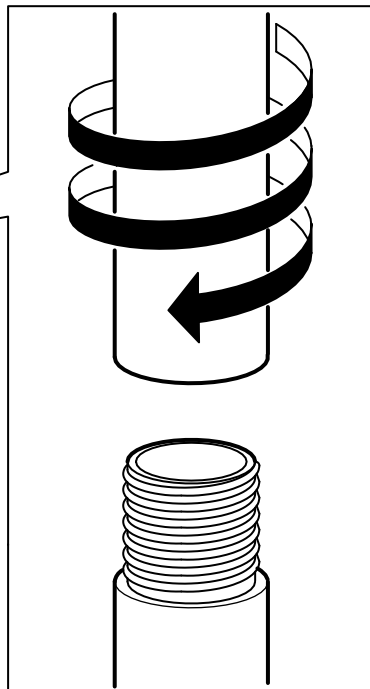
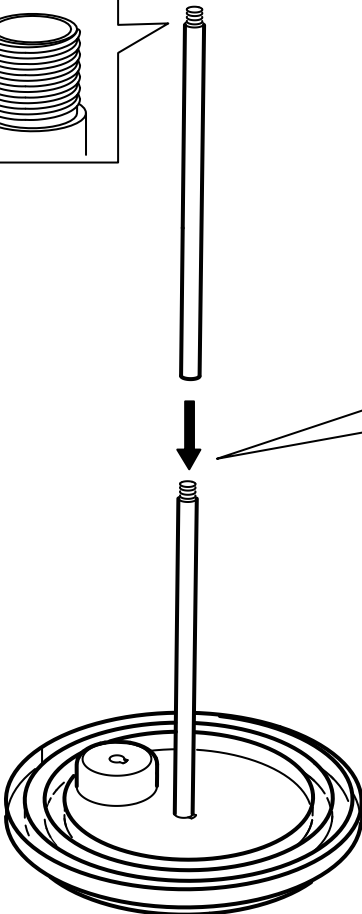
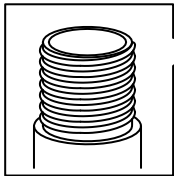
Design and Quality
IKEA of Sweden



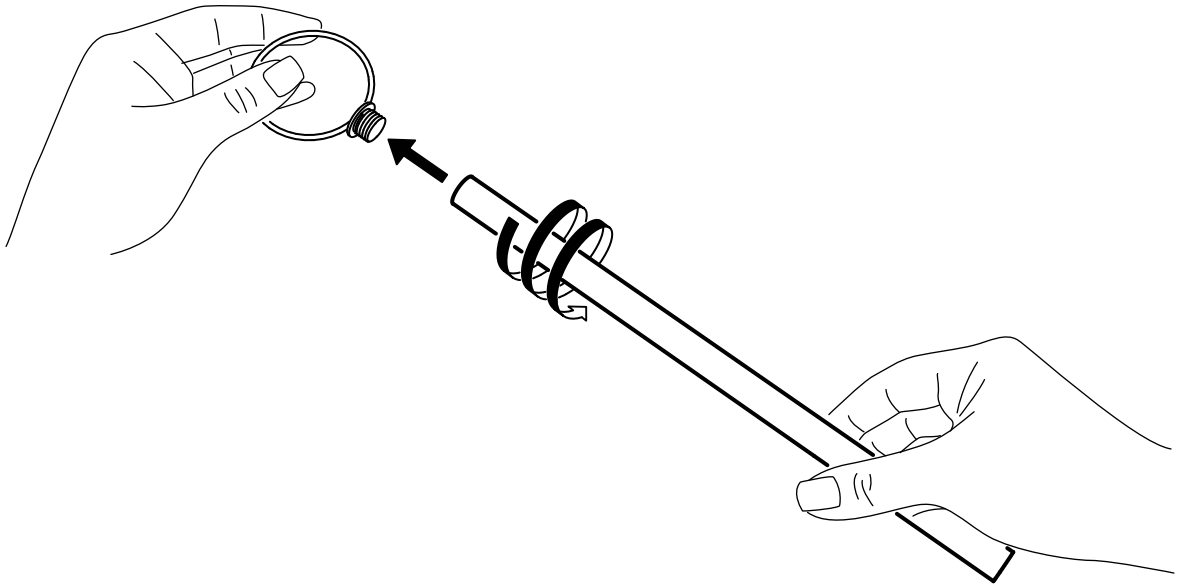
1



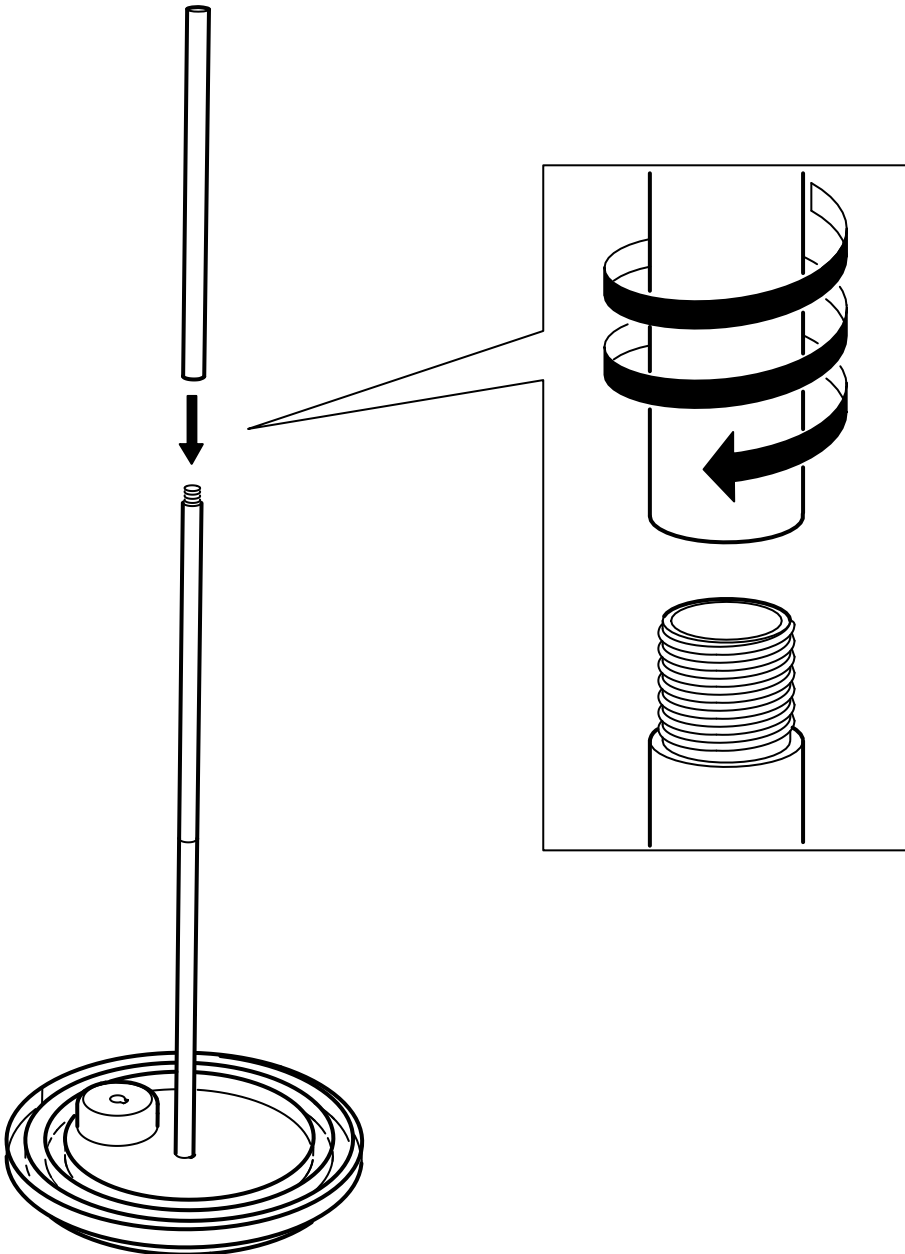
2



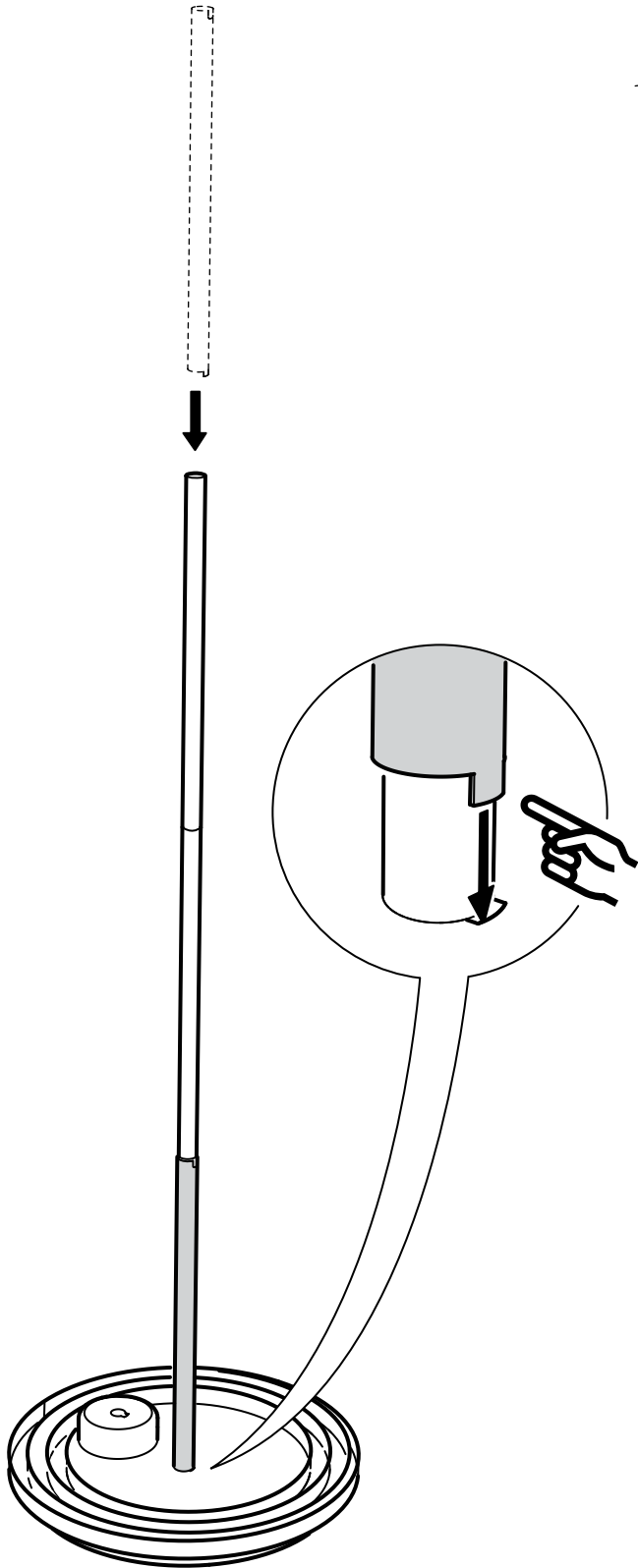
3



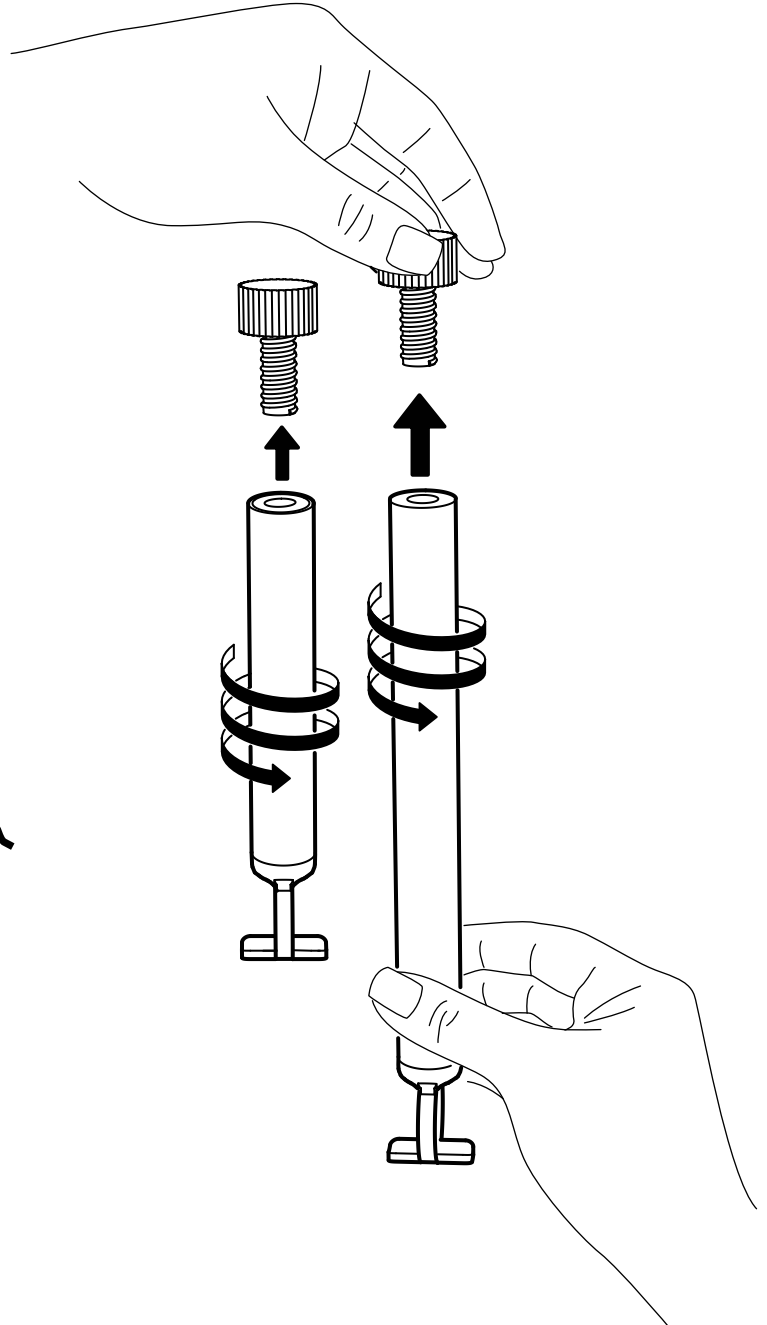
4



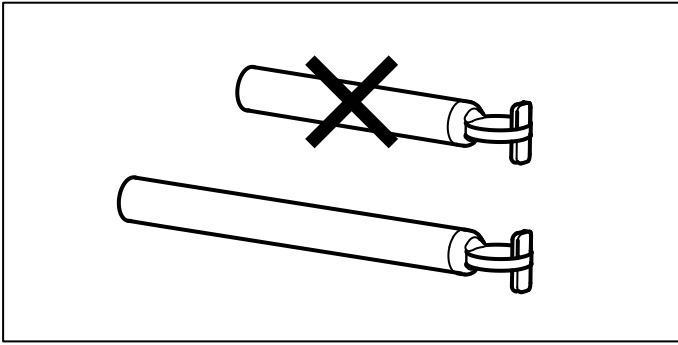
5



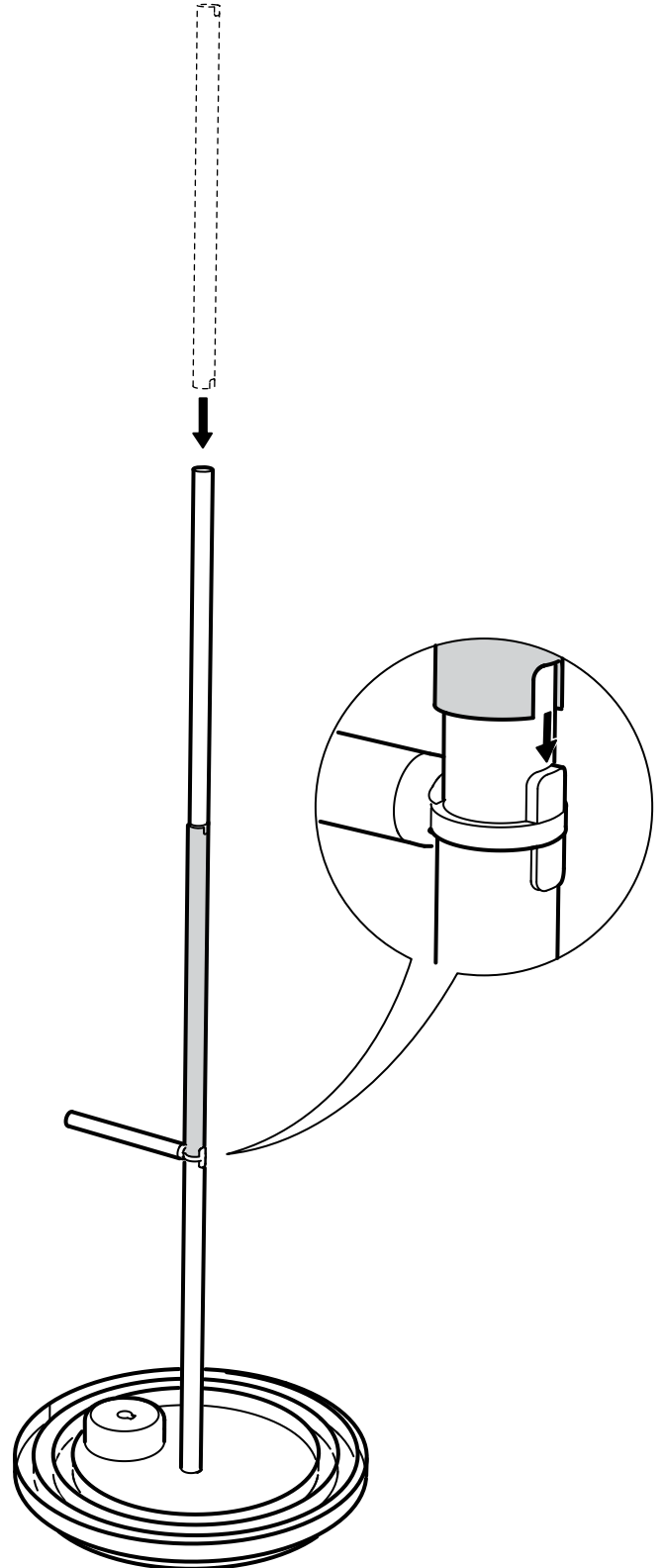
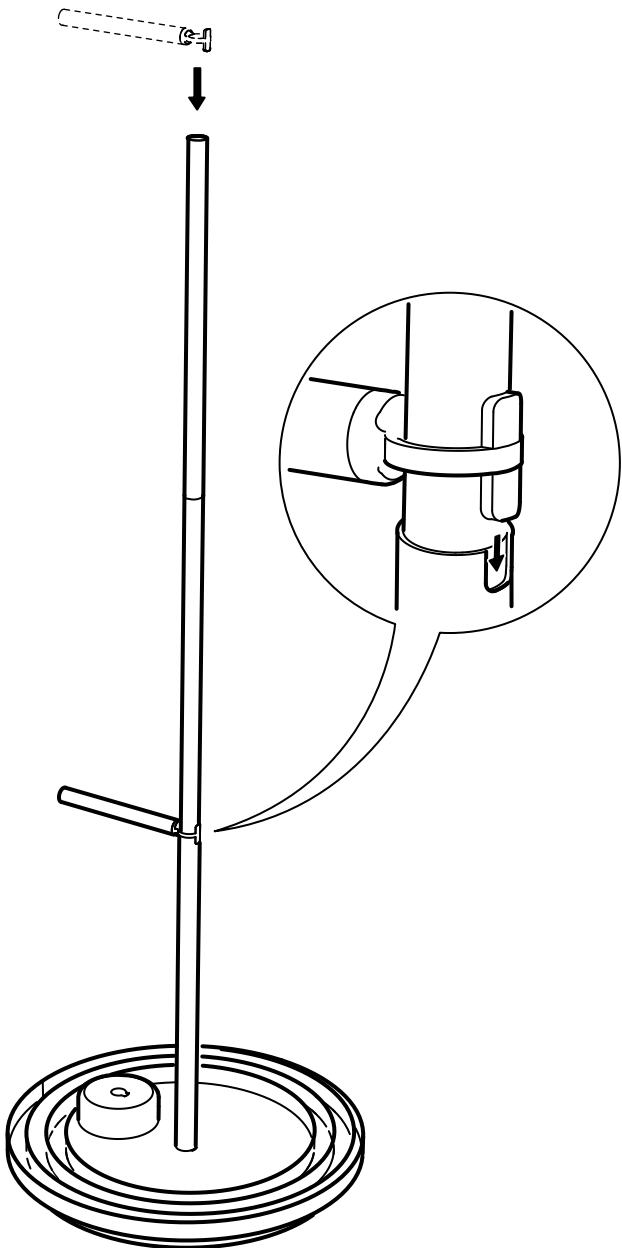
6



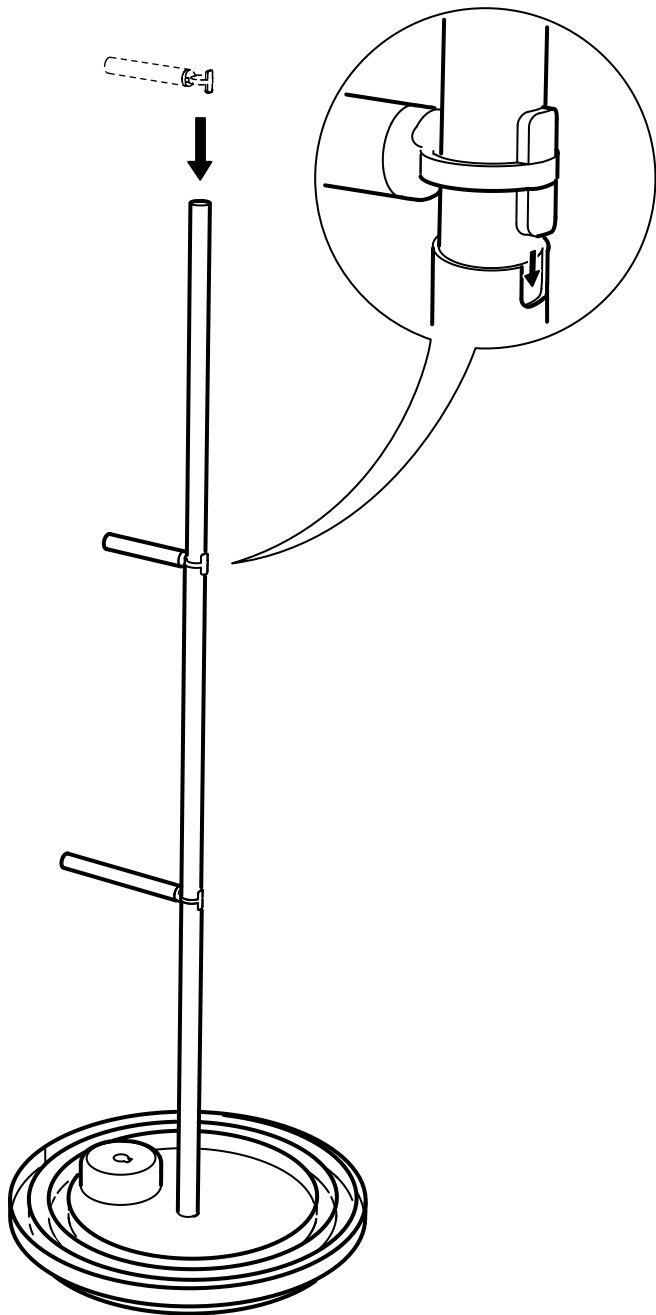
7



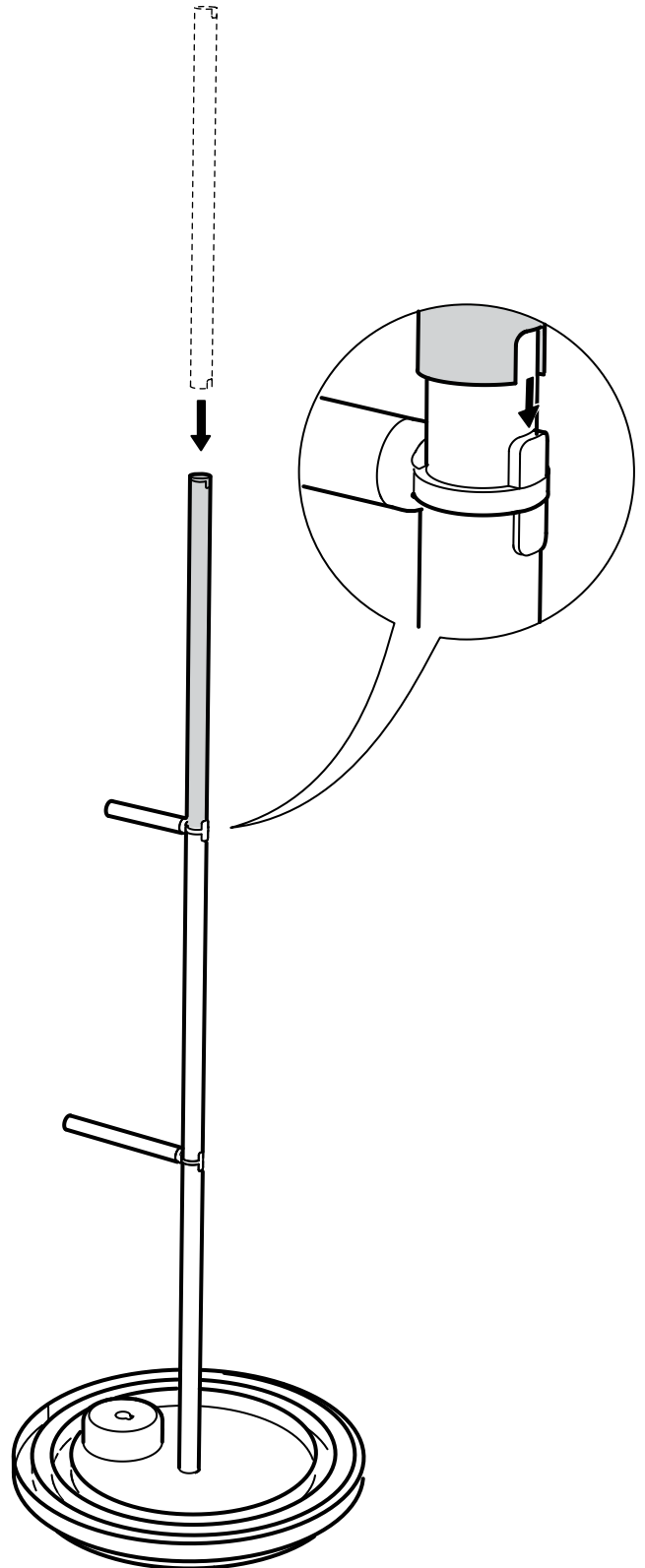
8

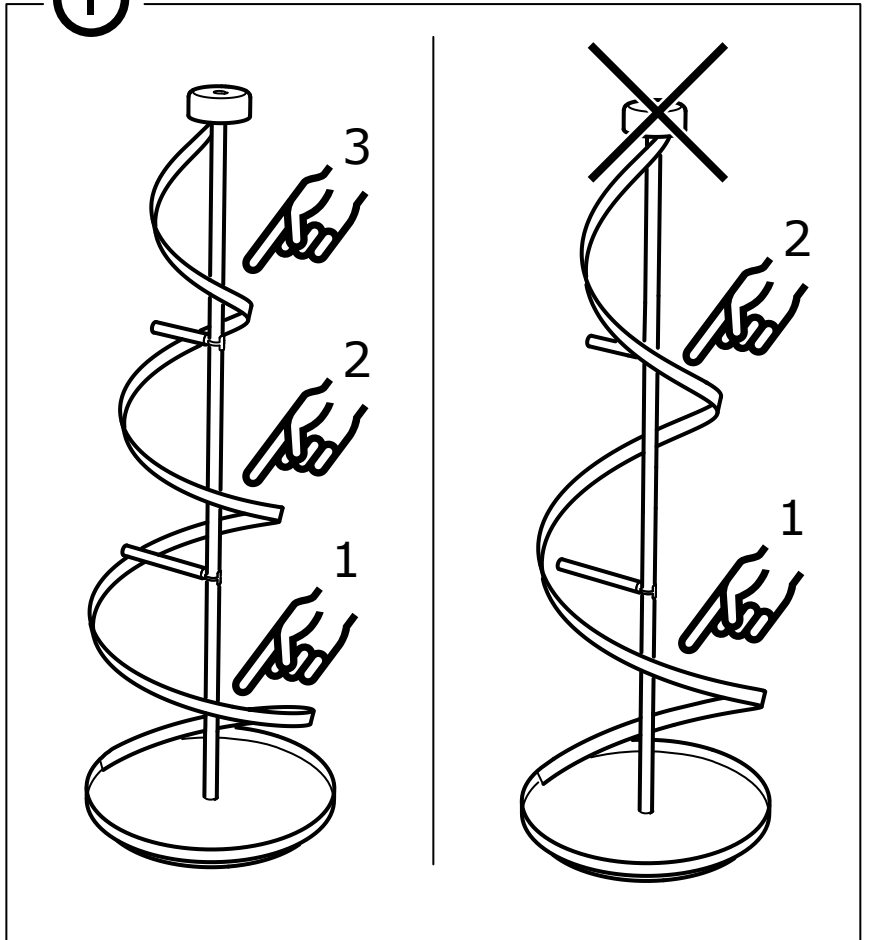
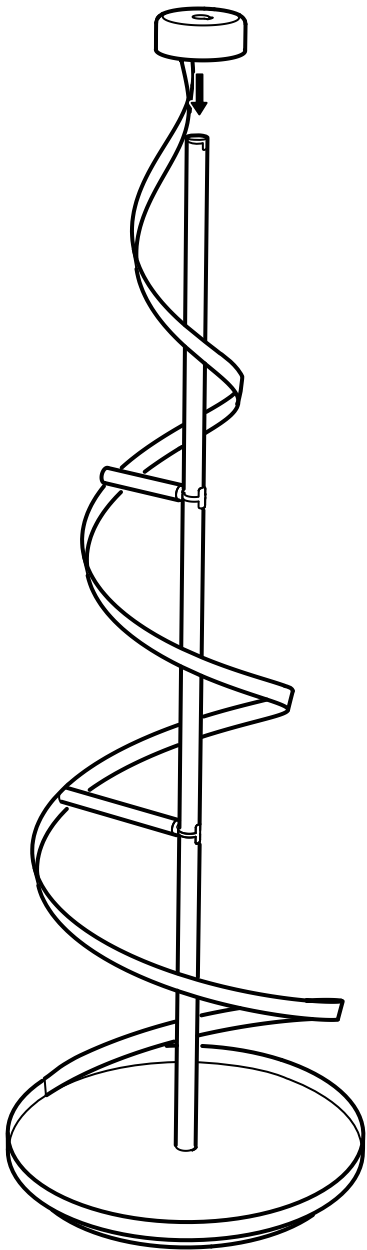
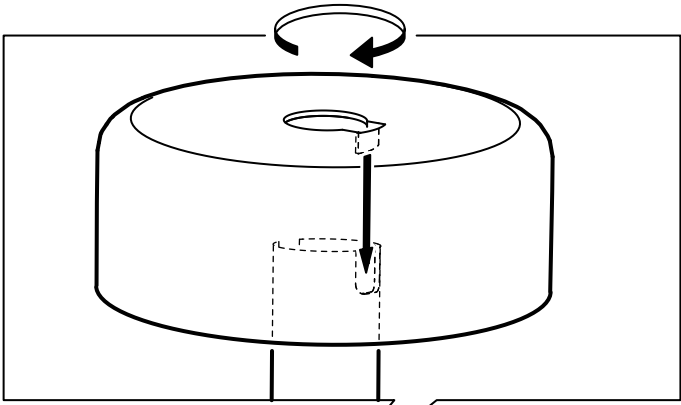


9

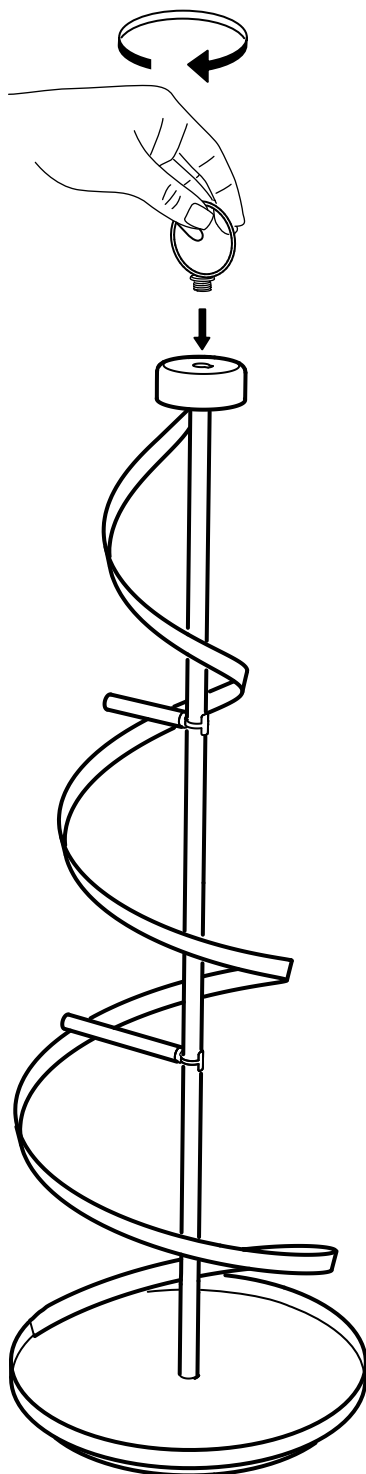


10





12



13

